

Diamond[®] Connectors

High Strength Split Bolt Connectors



The Diamond[®] Difference™

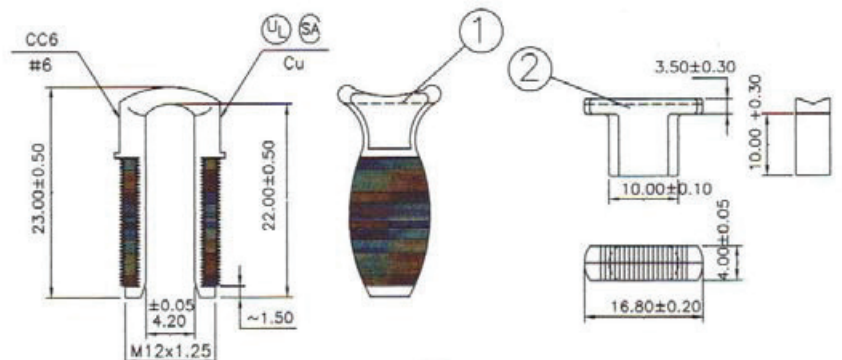
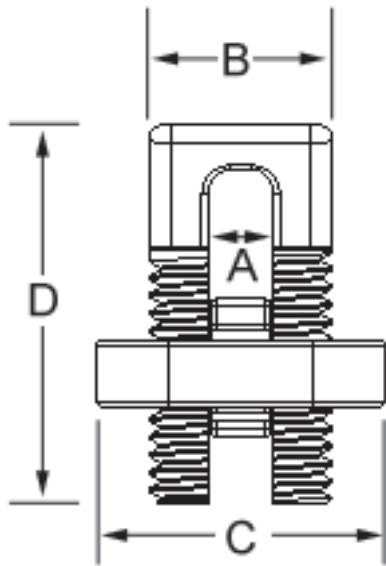
Does Your Hardware Pass the Test of Time?

- superior resistance to corrosion.
- most effective method for small parts
- Eliminates the problem of Hydrogen Embrittlement.

Diamond[®] Products Stand the Test of Time.

For copper to copper connections

- High strength corrosion-resistant copper alloy for use in bonding applications
- Highly resistant to corrosion and seasonal cracking
- Hex design nut of high strength corrosion-resistant bronze alloy.
- Pressure bar is copper
- UL and CSA listed



Part Numbers	Size	Dimensions (In) A	Dimensions (In) B	Dimensions (In) C	Dimensions (In) D	Inner Pack	Outer Pack
D68	#8	0.146	0.413	0.562	0.854	100	800
DG6	#6	0.165	0.413	0.625	0.906	100	800
DG4	#4	0.209	0.453	0.688	0.984	100	800
DG2	#2	0.309	0.615	0.875	1.240	100	400