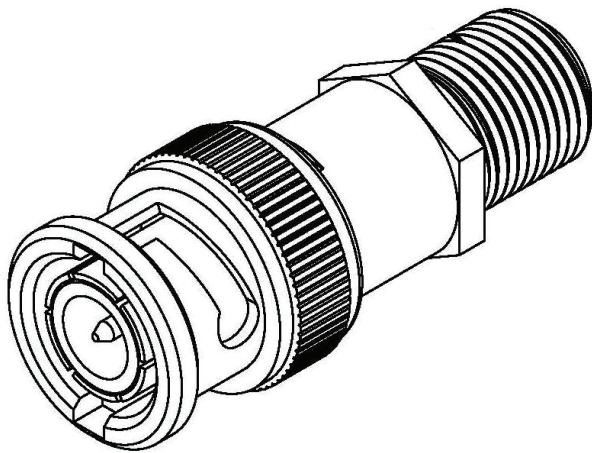
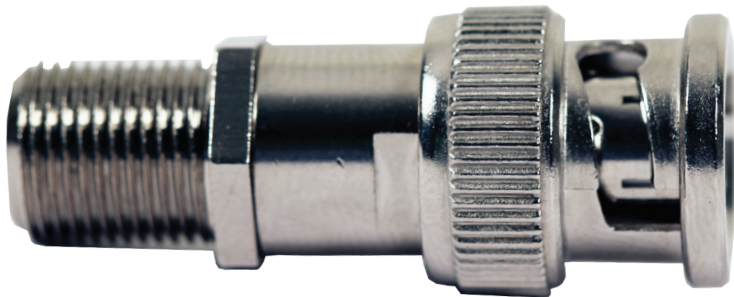


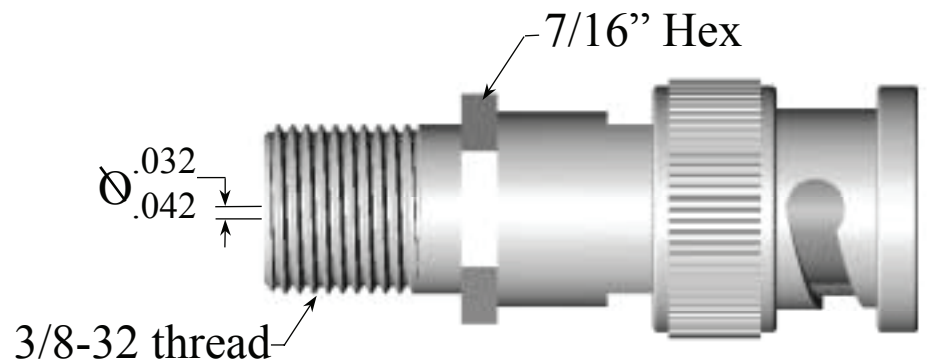
CBNCFMF

BNC Male to "F" Female



Product Specifications

Bandwidth	0 MHz to 1 GHz
Impedance	75 Ohms (nominal)
Return Loss	Better than -22 dB to 1 GHz
Insertion Loss	Less than .10 dB to 1 GHz



Part Numbers

CBNCFMF

BNC Male to "F" Female
Connector

C BNCF MF