

AquaTight® EX® Universal Compression Connectors

Series 320 Hardline Cable

The EX320QR and EX320RAFM hardline compression connectors attach with the ease of a drop connector for faster job completion. These connectors are versatile, durable and designed to deliver signals with minimal loss and greatest shielding effectiveness in the industry.

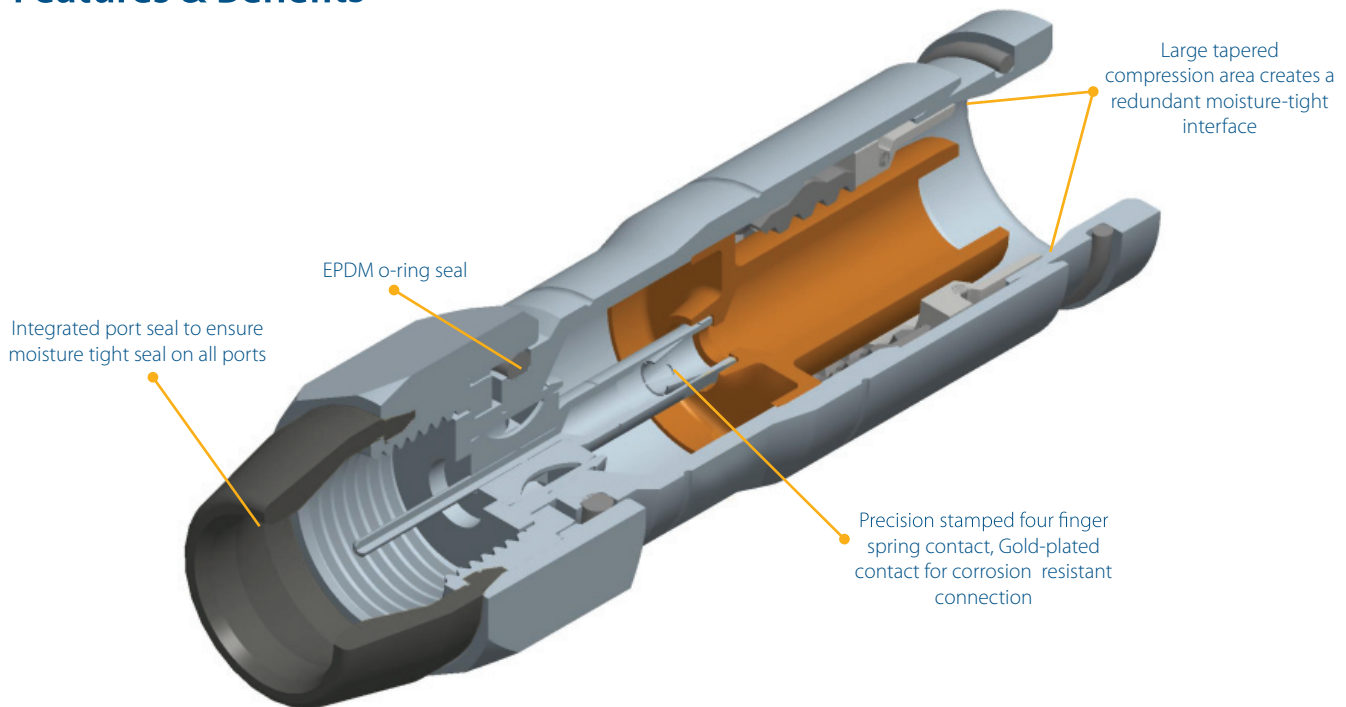


Specifications

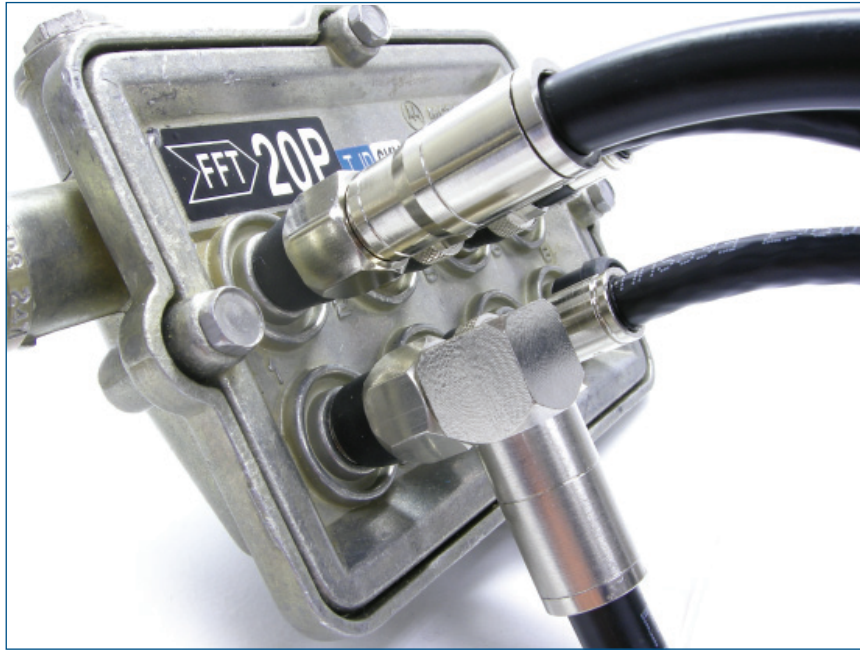
Bandwidth	0 MHz to 1 GHz
Impedance	75 Ohms (nominal)
Return Loss	Minimum -20 dB to 1 GHz
Insertion Loss	Less than .10 dB to 1.2 GHz
Operating Voltage	90 V (at 60 Hz continuous AC)
Operating Temperature	-40° F to + 140° F (-40° C to 60° C)
Cable Retention	175 lbs (20.41 kg) minimum

Meets or Exceeds all SCTE Specifications

Features & Benefits



Application



AquaTight® EX® Universal compression connectors ensure proper port sealing every time. Right angle connectors prevent improper cable bending and tap ports from breaking in smaller pedestals.

AquaTight® EX Compression Connectors: Series 320QR

EX320QRWS



EX320RAFMWS



Part Numbers

EX320QRWS	AquaTight® EX® connector, integrated port seal, 9/16" hex nut, series 320QR cable
EX320RAFMWS	AquaTight® EX® connector, integrated port seal, right angle, 9/16" hex nut, series 320QR cable

VT200



VT300



CST-320/7CQRF



MWSS400



TW309



Preparation & Installation Tools

Compression Tool	VT200	VT300	CATAS	CAT-AS-EX
Coring Tool	CST-320/7CQRF		SCT-F320QR	
Messenger Web Slitter/Shaver	MWSS400			
9/16" snap torque wrench	TW309			