

Mini BNC Connector



Features & Benefits

- Conductive gasket to enhance shielding effectiveness
- Large tapered compression area creates excellent cable retention

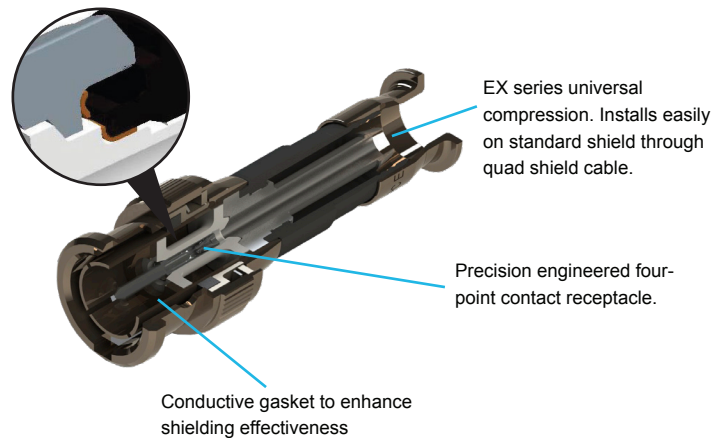


Overview

The EXMBNC is a BNC universal compression connector designed for use with standard through quad shield mini headend RG59 cable.

Technical Data

Specification	Value
Bandwidth	0 MHz to 3 GHz
Impedance	75 Ohms (nominal)
Return Loss	Minimum -30 dB to 3 GHz
Insertion Loss	Less than .10 dB to 3 GHz
Operating Voltage	90 V (at 60 Hz continuous AC)
Operating Temperature	-40°F to 140°F (-40°C to 60°C)



Preparation & Installation Tools

Part Number	Description
VT-HE	Compression Tool
LDTMINI	1/4" – 1/4" mini drop cable preparation too

Ordering Information

Part Number	Description
EXMBNC	Mini Series, BNC-Connector

r2_03202024