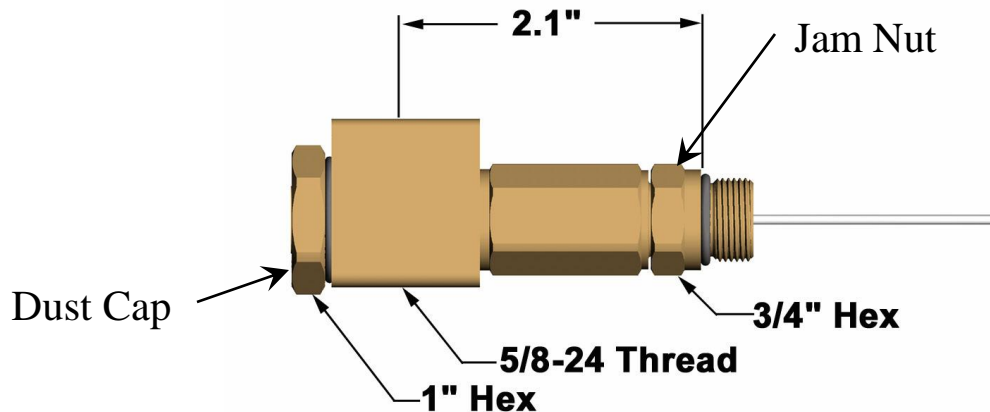


PRODUCT DATA SHEET

Part Number(s): **CP 90 3** Right angle adapter



Operation Specification:

Bandwidth	0 MHz to 1 GHz
Impedance	75 Ohms
Return Loss	Better than -30 dB to 1 GHz
Insertion Loss	Less than 0.10 dB to 1 GHz
Operating Voltage Rating	90 Volts (@ 60 Hz continuous AC)
Operating Current Rating	20 Amps (@ 60 Hz continuous AC)
Operating Temperature Range	-40° to +140° F

Tooling Requirements:

- One (1) 3/4" wrench
- Two (2) 1" wrenches
- Regular screw driver or 3/16" hex nut driver
- Suitable wrenches for installing pin connector
- Cutters for pin of connector