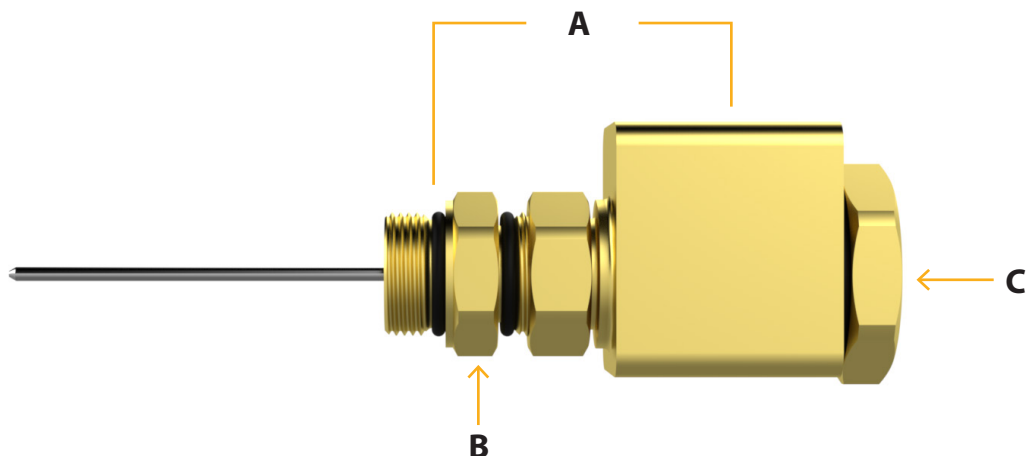


Hardline

Right Angle Swivel Adapter



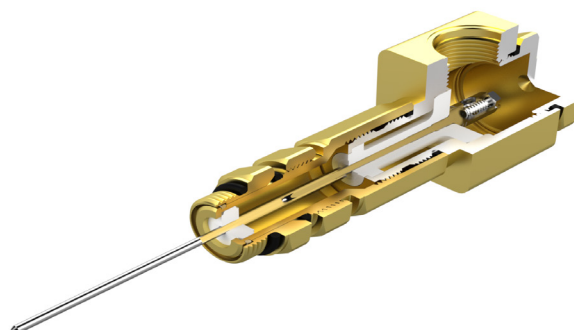
Mechanical Specifications (CP90SW Family - Right angle swivel adapter)

Connector	Connector Length (A) <i>(inches)</i>	Thread Size	Hex Size (B) <i>(inches)</i>	Hex Size (C) <i>(inches)</i>	Pin Trim Length <i>(inches)</i>
CP90SW	1.39	5/8-24 UNEF	3/4	1	9/16
CP903SW	2.43	5/8-24 UNEF	3/4	1	9/16
CP904.5SW	3.93	5/8-24 UNEF	3/4	1	9/16

Electrical Specifications

Bandwidth	0 MHz to 3 GHz
Impedance	75 Ohms (nominal)
Return Loss	-30 dB to 1 GHz -25 dB to 1.218 GHz -20 dB to 1.794 GHz
Insertion Loss	-0.25 dB to 1.794 GHz
Operating Voltage	90 V (at 60 Hz continuous AC)
Operating Current Rating	20 Amps (at 60 Hz continuous AC)
Operating Temperature	-40°F to 140°F (-40°C to 60°C)

Meets or Exceeds all SCTE Specifications



Preparation & Installation Tools

- Two (2) adjustable wrenches
- Linemen's pliers or other appropriate cutters
- Appropriate cable preparation tools

These products may be protected by one or more patents • For further information, please visit: www.ppc-online.com/patents

6176 E. Molloy Rd. East Syracuse, NY 13057 U.S.A. • customerservice@ppc-online.com • 1-800-800-6652 • +1 315-431-7200 • www.ppc-online.com