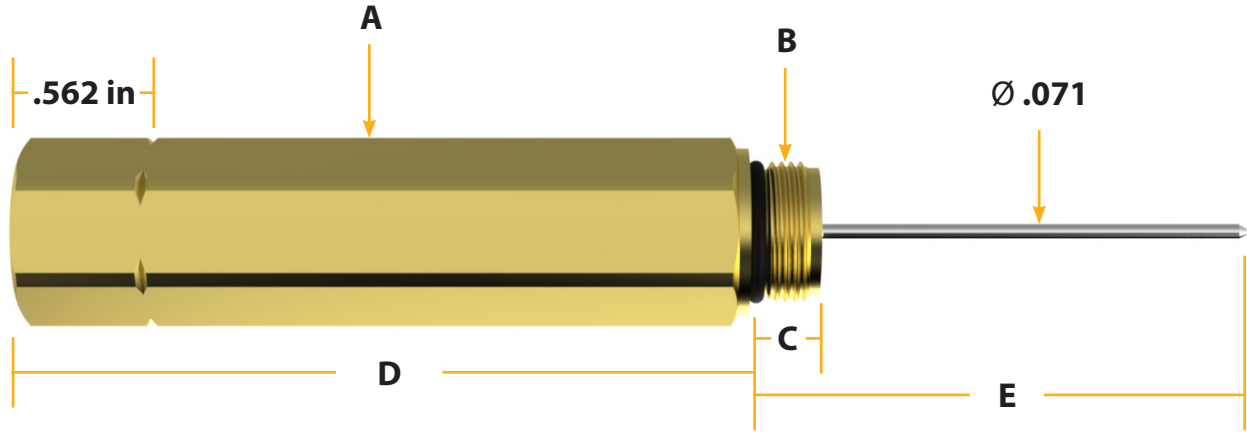


Hardline

Field Installable Extender with Self Seizing Contact



Mechanical Specifications

Connector	Hex Size (A) (in)	Thread Size (B) (in)	Thread Length (C) (in)	Overall Length (D) (in)	Pin Length (E) (in)
EXT1.5	0.75	5/8-24 UNEF-2A	0.31	1.5	2.2
EXT3	0.75	5/8-24 UNEF-2A	0.31	3.18	2.2
EXT4.5	0.75	5/8-24 UNEF-2A	0.31	4.5	2.2
EXT6	0.75	5/8-24 UNEF-2A	0.31	6	2.2
EXT9	0.75	5/8-24 UNEF-2A	0.31	9	2.2

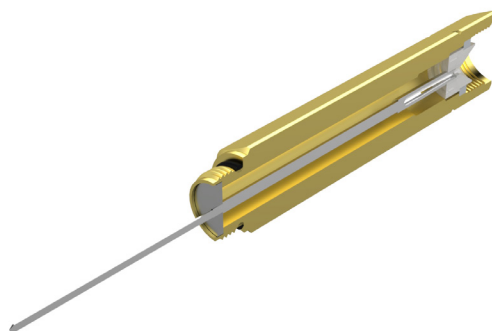
Preparation & Installation Tools

- Two (2) adjustable wrenches
- Linemen's pliers or other appropriate cutters
- Appropriate cable preparation tools

Electrical Specifications

Bandwidth	0 Mhz to 3 GHz
Impedance	75 Ohms
Return Loss	-25 dB to 1.794 GHz
Insertion Loss	-0.25 dB to 1.794 GHz
Operating Voltage	90 V (at 60 Hz continuous AC)
Operating Current Rating	20 Amps (at 60 Hz continuous AC)
Operating Temperature	-40°F to + 140°F (-40°C to 60°C)

Meets or Exceeds all SCTE Specifications



This product may be protected by one or more patents • For further information, please visit: www.ppc-online.com/patents