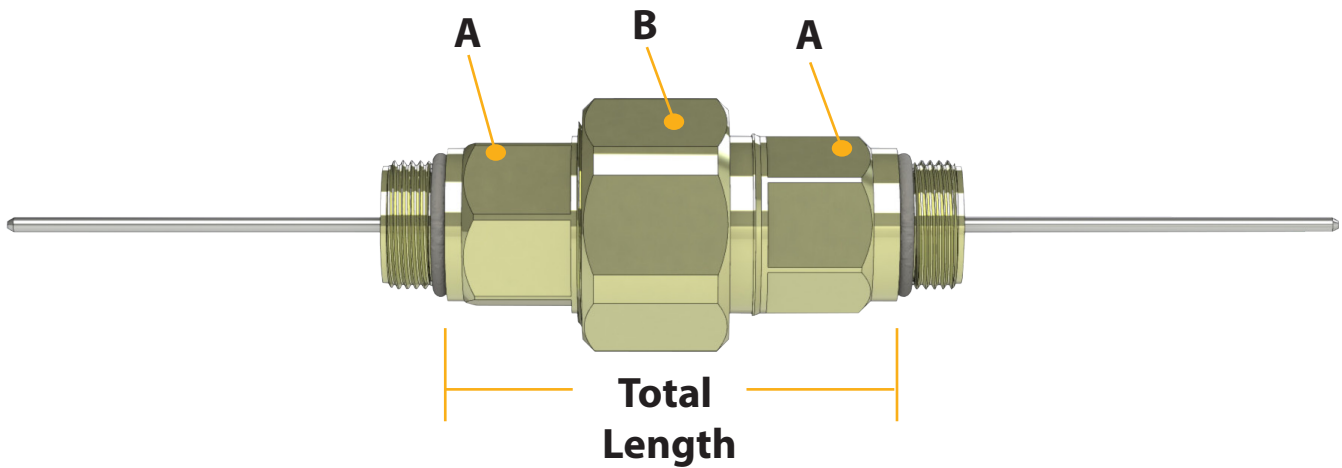


CKSKSLKG

Locking Housing to Housing Adapters

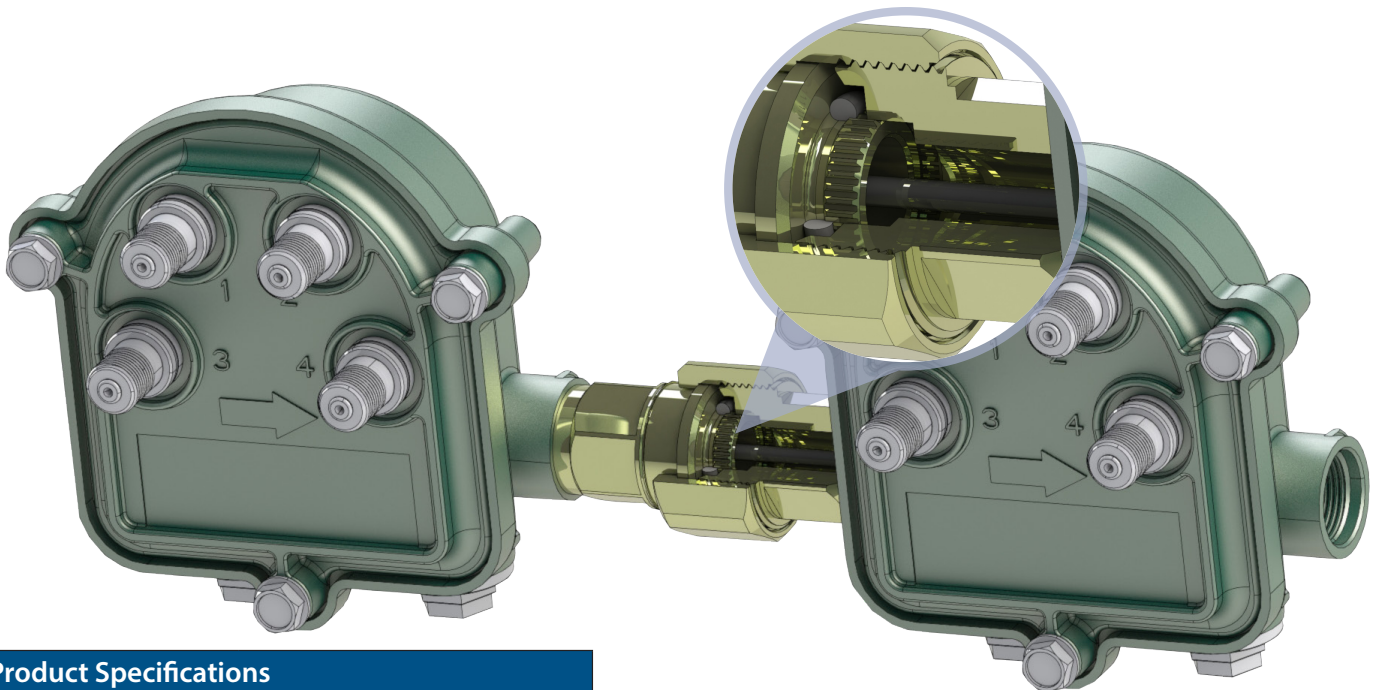


A **BELDEN** BRAND



Product Dimensions

Connector	Description	Total Length	Hex size (A)	Hex size (B)
CKSKSLKG	LOCKING HOUSING TO HOUSING	2.099	0.75	1.125



Product Specifications

Bandwidth	0 MHz to 3 GHz
Impedance	75 Ohms (nominal)
Return Loss	Better than -30 dB to 1.218 GHz
Insertion Loss	Less than .10 dB to 1.218 GHz
Operating Voltage	90 V (at 60 Hz continuous AC)
Operating Current Rating	20 Amps (at 60 Hz continuous AC)
Operating Temperature	-40° F to + 140° F (-40° C to 60° C)

Meets or Exceeds all SCTE Specifications

Preparation & Installation Tools

Two(2) adjustable wrenches
Linemen's pliers or other appropriate cutters
Socket Driver or Phillips Head Screwdriver