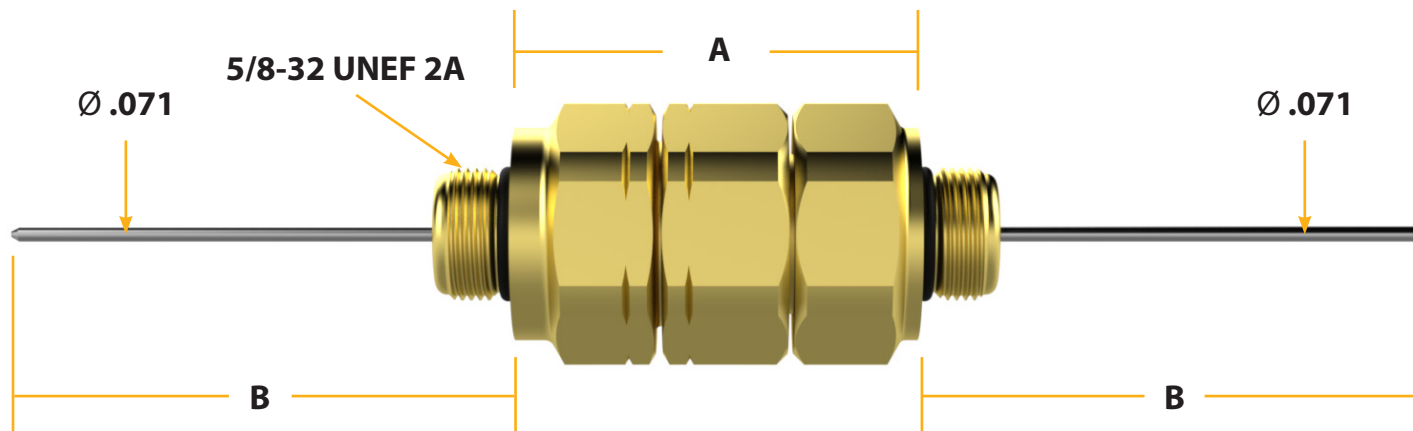


# Hardline

## Anti-Rotational, Sealed, Housing to Housing Swivel Adapter



### Mechanical Specifications

Connector	Connector Length Fully Tightened (A)	Hex Size	Pin Length (B)
	<i>(inches)</i>	<i>(inches)</i>	<i>(inches)</i>
CKSKSARS	1.870	1.125	2.2

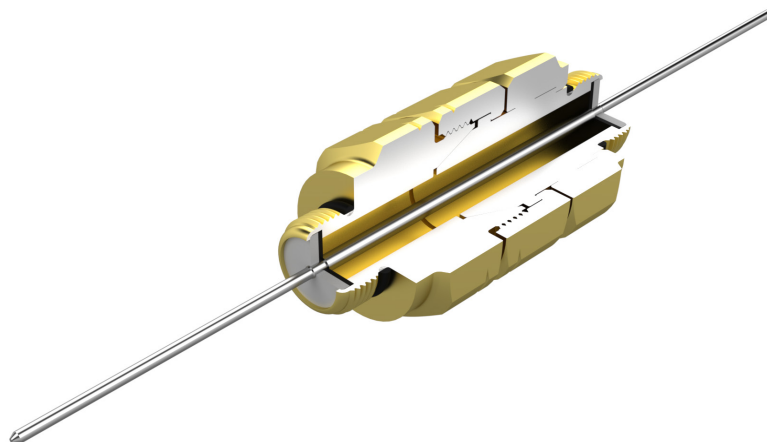
### Electrical Specifications

<b>Bandwidth</b>	0 MHz to 3 GHz
<b>Impedance</b>	75 Ohms (nominal)
<b>Return Loss</b>	-25 dB to 1.794 GHz
<b>Insertion Loss</b>	-0.25 dB to 1.794 GHz
<b>Operating Voltage</b>	90 V (at 60 Hz continuous AC)
<b>Operating Current Rating</b>	20 Amps (at 60 Hz continuous AC)
<b>Operating Temperature</b>	-40°F to + 140°F (-40°C to 60°C)

*Meets or Exceeds all SCTE Specifications*

### Preparation & Installation Tools

Two (2) adjustable wrenches
Linemen's pliers or other appropriate cutters
Appropriate cable preparation tools



This product may be protected by one or more patents • For further information, please visit: [www.ppc-online.com/patents](http://www.ppc-online.com/patents)

6176 E. Molloy Rd. East Syracuse, NY 13057 U.S.A. • [customerservice@ppc-online.com](mailto:customerservice@ppc-online.com) • 1-800-800-6652 • +1 315-431-7200 • [www.ppc-online.com](http://www.ppc-online.com)