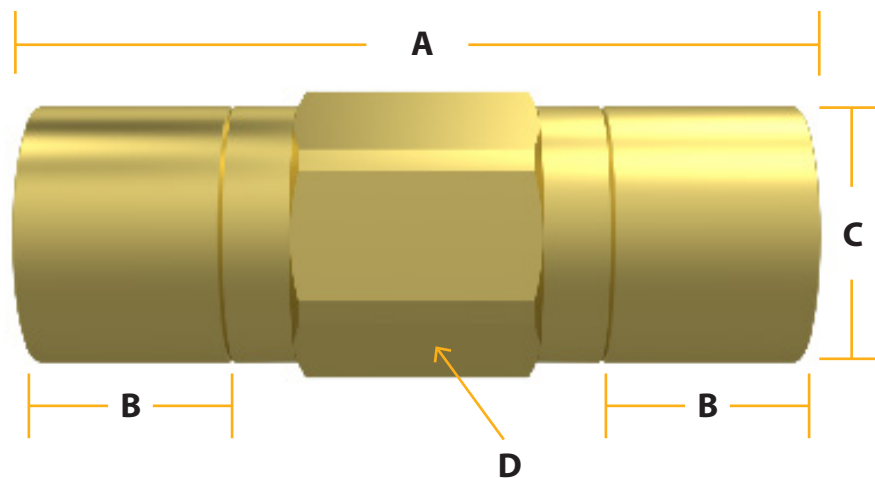


Hardline Female Splice Coupler



Mechanical Specifications

| | Length (A) | Trim Length (B) | Body Diameter (C) | Hex Size (D) |
|-----------------------------|------------|-----------------|-------------------|--------------|
| <i>Connector Terminator</i> | <i>in</i> | <i>in</i> | <i>in</i> | <i>in</i> |
| CKSKSHFS | 2.2 | 0.56 | 0.74 | 0.75 |
| CKSKSHFSL | 2.2 | 0.56 | 0.99 | 1 |

Electrical Specifications

| | |
|---------------------------------|----------------------------------|
| Bandwidth | 0 MHz to 3 GHz |
| Impedance | 75 Ohms (nominal) |
| Return Loss | -25 dB to 1.794 GHz |
| Insertion Loss | -0.25 dB to 1.794 GHz |
| Operating Voltage | 90 V (at 60 Hz continuous AC) |
| Operating Current Rating | 20 Amps (at 60 Hz continuous AC) |
| Operating Temperature | -40°F to + 140°F (-40°C to 60°C) |

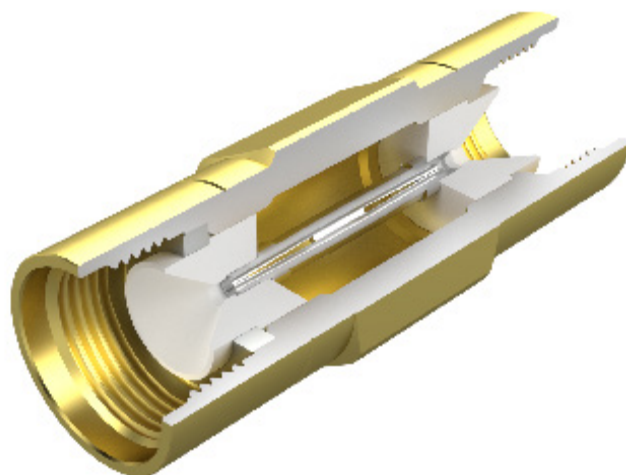
Meets or Exceeds all SCTE Specifications

Preparation & Installation Tools

Two (2) adjustable wrenches

Linemen's pliers or other appropriate cutters

Appropriate cable preparation tools



Ordering Information

| Part Number | Description |
|-------------|--|
| CKSKSHFS | Female Splice Coupler, KSF to KSF, Standard Body |
| CKSKSHFSL | Female Splice Coupler, KSF to KSF, Large Body |

This product may be protected by one or more patents • For further information, please visit: www.ppc-online.com/patents

6176 E. Molloy Rd. East Syracuse, NY 13057 U.S.A. • customerservice@ppc-online.com • 1-800-800-6652 • +1 315-431-7200 • www.ppc-online.com