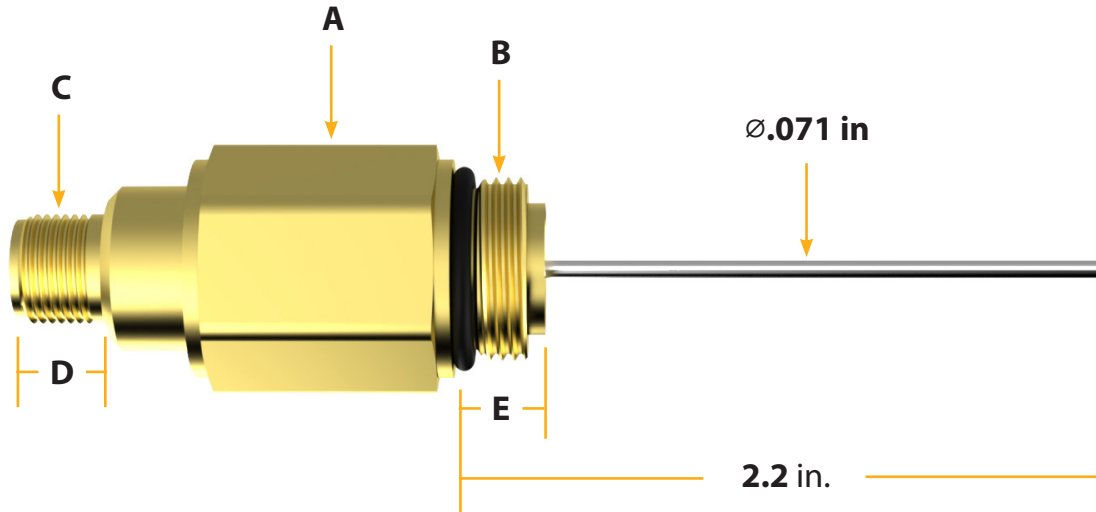


Hardline

“F” Female “KS” Adapter, Power Blocking



Mechanical Specifications

Connector	Hex Size (A)	Large Thread (B)	Small Thread (C)	Small Thread Length (D)	Large Thread Length (E)
	(in)	(in)	(in)	(in)	(in)
CF61625PB	0.75	5/8-24 UNEF-2A	3/8-32 UNEF-2A	0.315	0.315

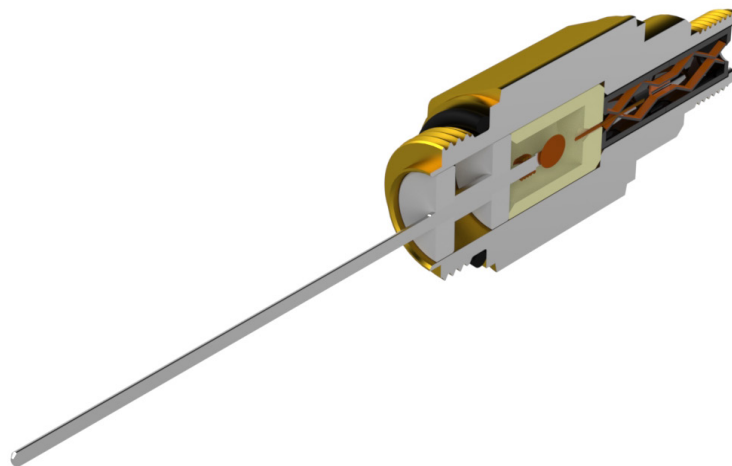
Preparation & Installation Tools

Two (2) adjustable wrenches
 Linemen's pliers or other appropriate cutters

Electrical Specifications

Bandwidth	0 MHz to 1.794 GHz
Impedance	75 Ohms
Return Loss	-16 dB to 1 GHz
Insertion Loss	-.25 dB to 1 GHz
Max Voltage	250V

Meets or Exceeds all SCTE Specifications



This product may be protected by one or more patents • For further information, please visit: www.ppc-online.com/patents