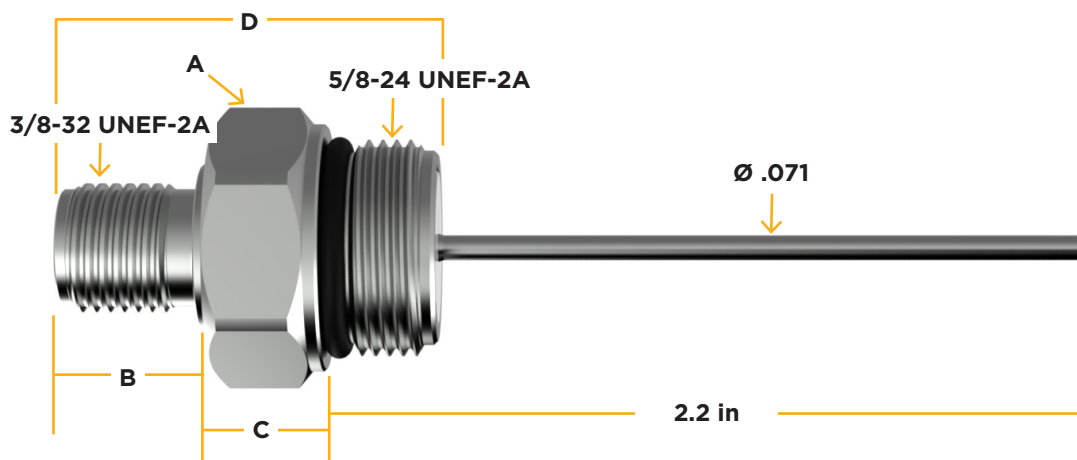


Hardline

"F" Female to KS Adapter



Mechanical Specifications

Connector	Hex Size (A)	Thread Length (B)	Connector Length (C)	Full Threaded Connector Length (D)
	(in)	(in)	(in)	(in)
CF61G1A	0.75	.5	0.39	1.24

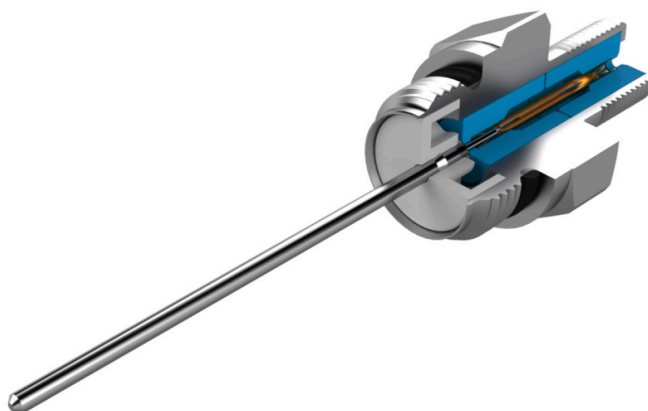
Preparation & Installation Tools

Two (2) adjustable wrenches
Linemen's pliers or other appropriate cutters
Appropriate cable preparation tools

Electrical Specifications

Bandwidth	0 MHz to 3 GHz
Impedance	75 Ohms (nominal)
Return Loss	-25 dB to 1.794 GHz
Insertion Loss	-0.25 dB to 1.794 GHz
Operating Voltage	90 V (at 60 Hz continuous AC)
Operating Current Rating	5 Amps (at 60 Hz continuous AC)
Operating Temperature	-40°F to + 140°F (-40°C to 60°C)

Meets or Exceeds all SCTE Specifications



These products may be protected by one or more patents • For further information, please visit: www.ppc-online.com/patents

6176 E. Molloy Rd. East Syracuse, NY 13057 U.S.A. • customerservice@ppc-online.com • 1-800-800-6652 • +1 315-431-7200 • www.ppc-online.com