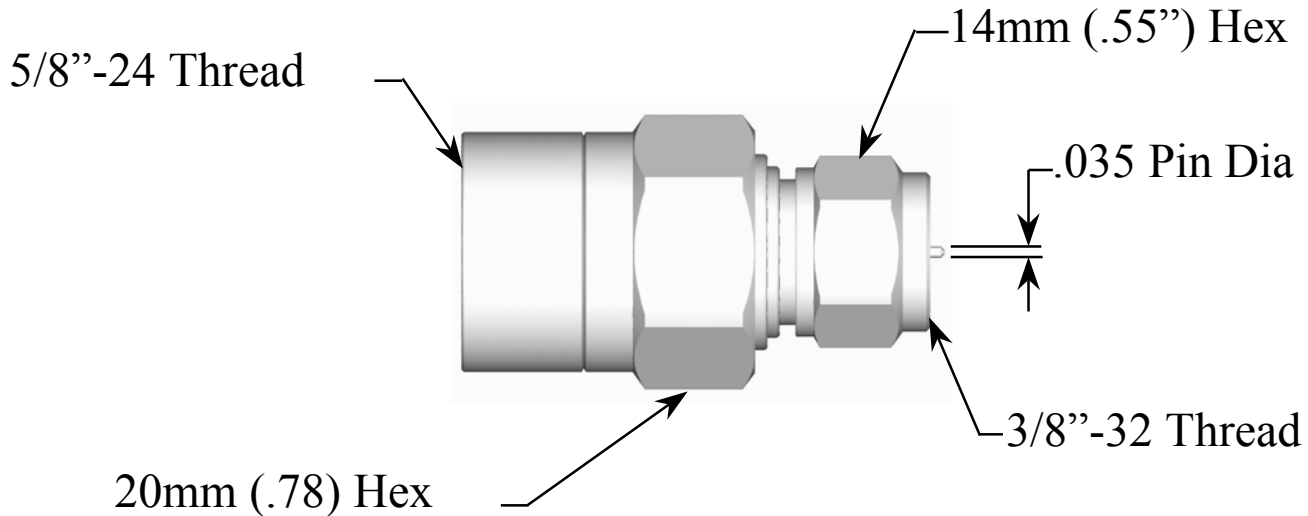


PRODUCT DATA SHEET

Part Number(s): **I CH AFM / 2** 5/8-24 to “F” Male adapter, 2 GHz



Operation Specification:

Bandwidth	0 MHz to 2 GHz
Impedance	75 Ohms
Return Loss	Better than -30 dB to 2 GHz
Insertion Loss	Less than 0.20 dB to 2 GHz
Operating Temperature Range	-40° to +140° F

Tooling Requirements:

- Adjustable wrench – (2)
- Suitable wrenches for installing pin connector
- Cutters for pin of connector