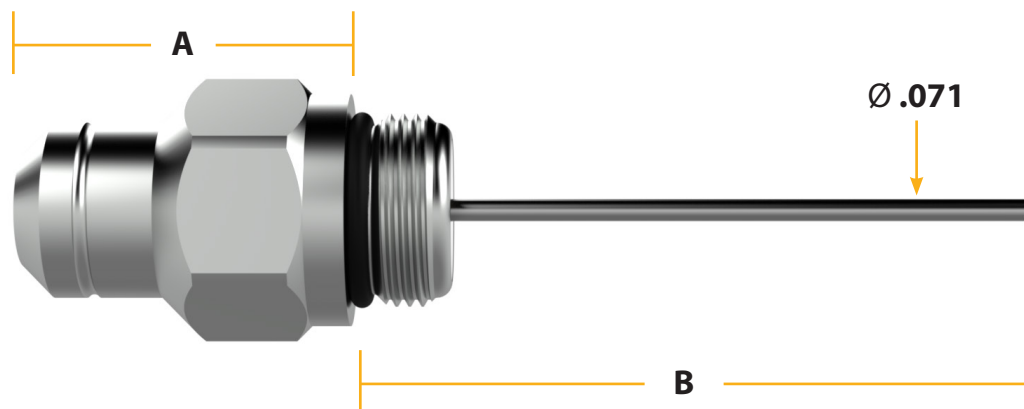


# Hardline

## KS Male Housing Terminator



### Mechanical Specifications

| Connector | Hex Size<br><i>(inches)</i> | Terminator Length (A)<br><i>(inches)</i> | Inserted Length (B)<br><i>(inches)</i> | Thread Size    | Surge Rating<br><i>(KV) At 60 Hz Continuous AC</i> |
|-----------|-----------------------------|--|--|----------------|--|
| UMTR      | 3/4                         | 1.05                                     | 2.2                                    | 5/8-24 UNEF-2A | 1  |
| UMTRHV    | 3/4                         | 1.05                                     | 2.2                                    | 5/8-24 UNEF-2A | 2.5  |
| UMTR6KV   | 3/4                         | 1.05                                     | 2.2                                    | 5/8-24 UNEF-2A | 6  |

### Electrical Specifications

|                       |                                   |
|-----------------------|-----------------------------------|
| Bandwidth             | 5MHz to 3GHz                      |
| Impedance             | 75 Ohms (nominal)                 |
| Return Loss           | -25dB from 5MHz to 1.794GHz       |
| Operating Voltage     | 90 Volts (at 60 Hz continuous AC) |
| Operating Temperature | -40°F to + 140°F (-40°C to 60°C)  |

*Meets or Exceeds all SCTE Specifications*

### Preparation & Installation Tools

|   |
|---|
| Two (2) adjustable wrenches                   |
| Linemen's pliers or other appropriate cutters |



These products may be protected by one or more patents • For further information, please visit: [www.ppc-online.com/patents](http://www.ppc-online.com/patents)

6176 E. Molloy Rd. East Syracuse, NY 13057 U.S.A. • [customerservice@ppc-online.com](mailto:customerservice@ppc-online.com) • 1-800-800-6652 • +1 315-431-7200 • [www.ppc-online.com](http://www.ppc-online.com)