

SFIT Terminal Hand-off Box | Installation Instructions

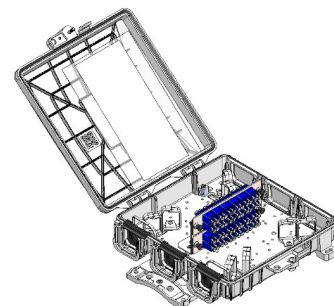


Overview

The SFIT Terminal Hand-off Box with LGX is a cost-effective solution for optical transition between primary fiber and the fiber to the antenna (FTTA) cables, or for small cell fiber distribution for venues. PPC accessories such as FTFA and fiber trunk assemblies are available to complete the solution. The terminal can also be used in other transition situations such as commercial business or MDU/MTU applications.

The outdoor/indoor terminal can be configured with LC Duplex bulkhead, blue or green, providing 12, 24, or 48 ports and is wall, pole or H-Frame compatible. The unit is also available with an empty LGX compatible bracket, allowing for customization with patch, DWDM front haul, and other applications.

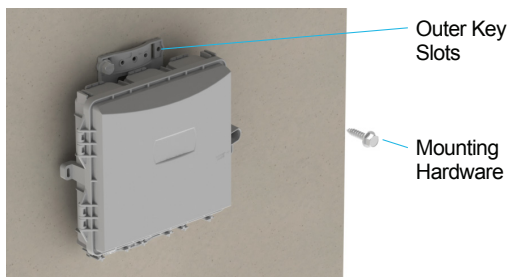
Please contact your PPC sales rep to help with configurations.



PPC Part #	Description
SFIT-FK00XGW1-61	Enclosure, SFIT-FK, Patch, Empty, Hand off Box 1, Light Grey
SFIT-FK12XGW1-61	Enclosure, SFIT-FK, Patch, LGX 12 DLC, Hand off Box 1, Light Grey
SFIT-FK24XGW1-61	Enclosure, SFIT-FK, Patch, LGX 24 DLC, Hand off Box 1, Light Grey
SFIT-FK48XGW1-61	Enclosure, SFIT-FK, Patch, LGX 48 DLC, Hand off Box 1, Light Grey

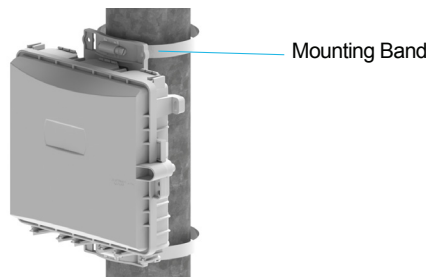
Enclosure Mounting

Wall Mount



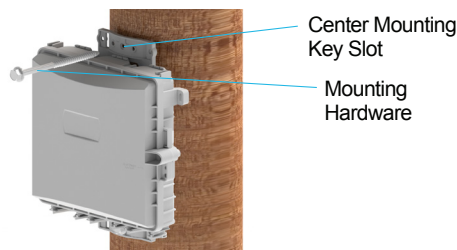
1. Measure distance of four corner holes
2. Drill pilot holes
3. Loosely install top screw at outer holes
4. Level enclosure horizontally and vertically
5. Tighten top screws securely
6. Install bottom screws at outer holes

Metal Pole Mount with Banding



1. Loosely install top and bottom stainless-steel bands through enclosure slots
2. Tighten top band securely
3. Level enclosure horizontally and vertically
4. Tighten bottom band securely

Wood Pole Mount with Lag Screw



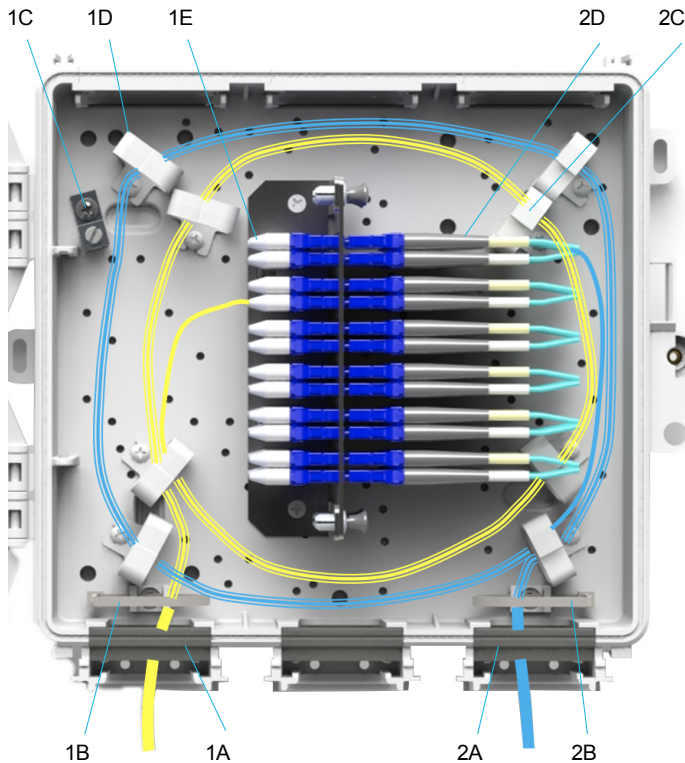
1. Measure distance of center mounting holes
2. Drill pilot holes
3. Install top lag screw at top center hole
4. Level enclosure horizontally and vertically
5. Install bottom lag screw at bottom center hole

These products may be protected by one or more patents • For further information, please visit: www.ppc-online.com/patents

SFIT Terminal Hand-off Box | Installation Instructions



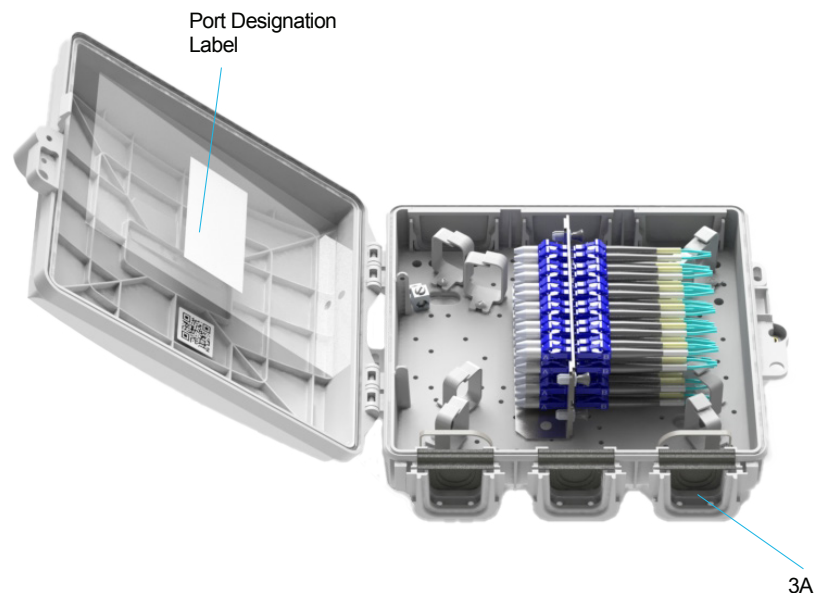
Cable Routing



1. Install feed cable
 - A. Remove grommet from the cable port. Cut an "X" or punch a hole in the center. Insert the feed cable through the opening. Reinstall the grommet with drip flange facing down.
 - B. Secure the feed cable with cable tie
 - C. If available, route strength member to tie down, secure with screw and trim excess.
 - D. Wrap cable clockwise around the outer cable rings
 - E. Insert feed cable connector into adapters
2. Install distribution cable
 - A. Remove grommet from the cable port. Cut an "X" or punch a hole in the center. Insert the distribution cable through the opening. Reinstall the grommet with drip flange facing down.
 - B. Secure the distribution cable with cable tie
 - C. Wrap cable counter-clockwise around the inner cable rings
 - D. Insert distribution cable connector into adapters

Port Designation

1. Populate 12f, 24f, or 48f port designation label
2. Apply label to plastic sleeve
3. Close Cover
 - A. Cover will not fully seat if the drip flange is facing up
 - B. Carefully close cover and lock security bolt (216 Tool) to protect components



These products may be protected by one or more patents • For further information, please visit: www.ppc-online.com/patents