

Installation Manual

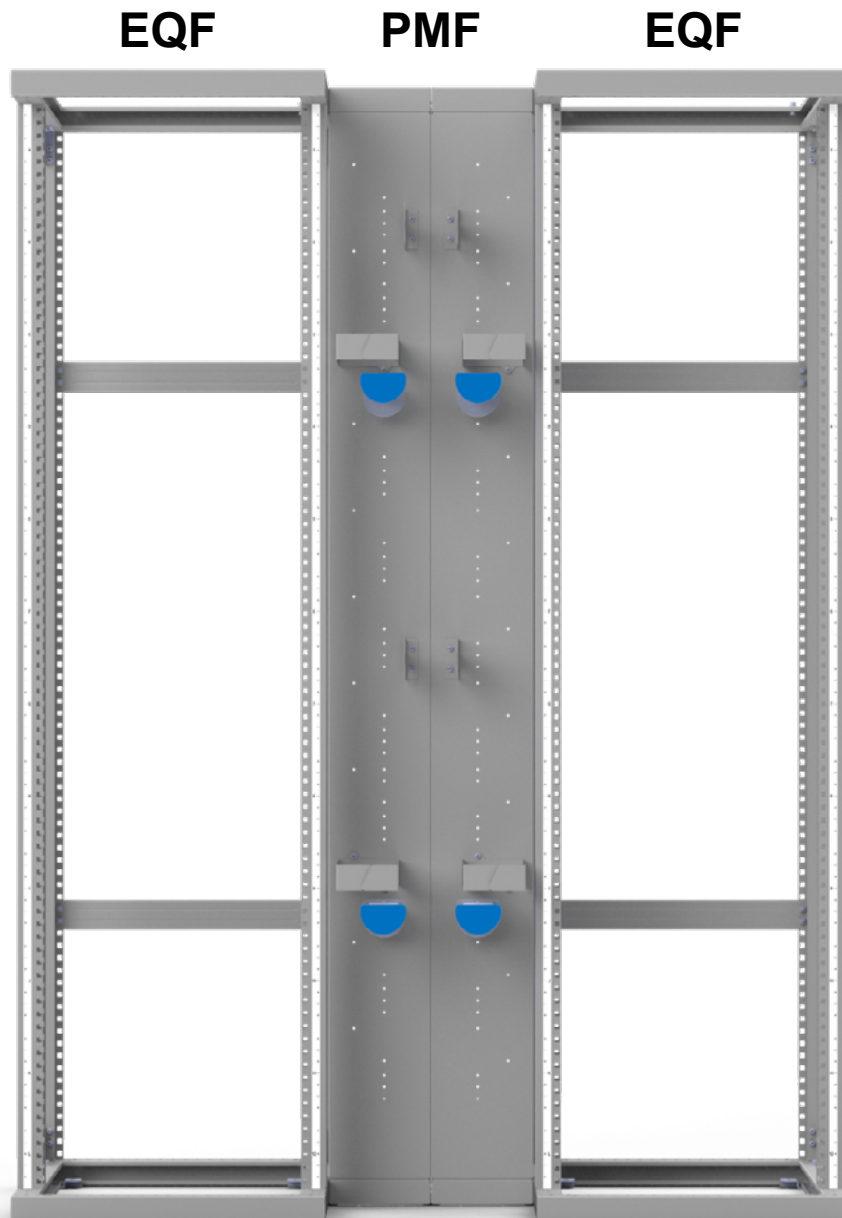
FLOOR MOUNTING AND EARTHING PROCEDURE FOR EQF



FLOOR MOUNTING AND EARTHING PROCEDURE FOR EQF FRSE040002273-002 ETSI Fiber management suite with 3 racks

- Before starting the installation, carefully read the whole document.
- Follow all of the local safety regulations that are applicable at the installation site and that may or may not be mentioned in this document.
- This installation procedure provides general guidance and instructions on how the EQF should be installed and secured.
- It is the installer's responsibility to fully assess the environment and the conditions prior to beginning the installation.
- Failing to do this may lead to danger to the installer or anyone using the product thereafter.

1. Overview of the EQF

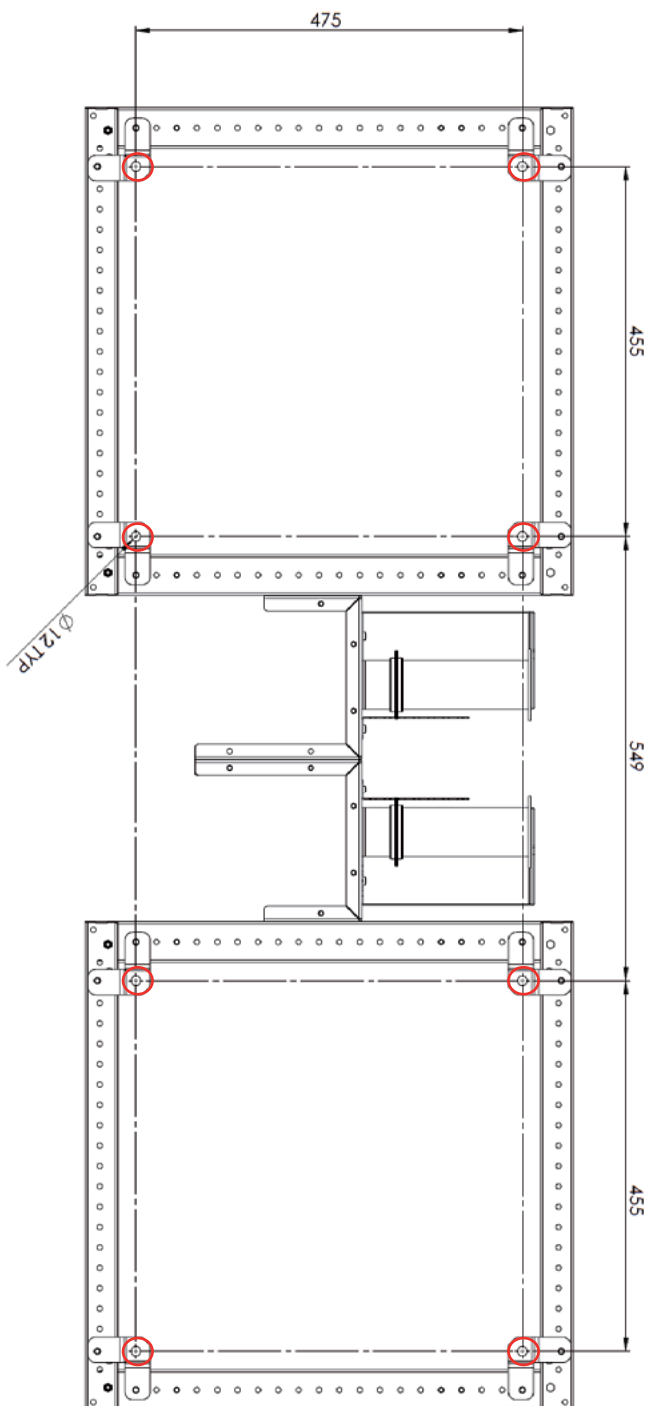


Installation Manual

FLOOR MOUNTING AND EARTHING PROCEDURE FOR EQF

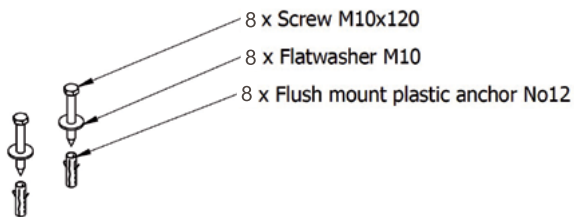


2. Schematic view of the mounting hole



Left: Schematic view showing the positions of the floor fixing holes (circled in red).

Below: accessory set for floor mounting. This set is for example only and is **NOT** included in the scope of delivery. The exact screw types and screw lengths must be adapted to the conditions on site.



Installation Manual

FLOOR MOUNTING AND EARTHING PROCEDURE FOR EQF



3. EQF floor mounting procedure

Please note: This is an installation for a team of minimum two people.

Before starting the installation make sure that:

- there is enough room around the EQF to allow proper installation and maintenance
- the concrete floor is even, leveled and clear from any debris
- a set of suitable screws, washers and anchors for use with a solid concrete floor is used. For any other type of floor, the installer must determine adequate installation method and additional materials, if needed

If any of the conditions above are not met or you have other concerns, do not proceed with the installation.

- 3.1. Using a pencil or a marker, mark the positions for the eight holes with the help of the schematic view on page 3.
- 3.2. Make sure that no cables or other pipes are installed in the floor in the area of the holes.
- 3.3. Use an electric hand drill to make the eight holes (Diameter and depth must be compatible with the accessories to be used).
- 3.4. Fully insert the anchors into the holes and tap home with a hammer if necessary.
- 3.5. Position the EQF at the mounting site. Thread the screws & washer through the holes and loosely screw them into the anchors.
- 3.6. Use a ratchet to tighten the screws.
- 3.7. After finishing the installation, verify that the EQF is solidly fixed to the floor and that there is not gap between the EQF and the floor

Installation Manual

FLOOR MOUNTING AND EARTHING PROCEDURE FOR EQF



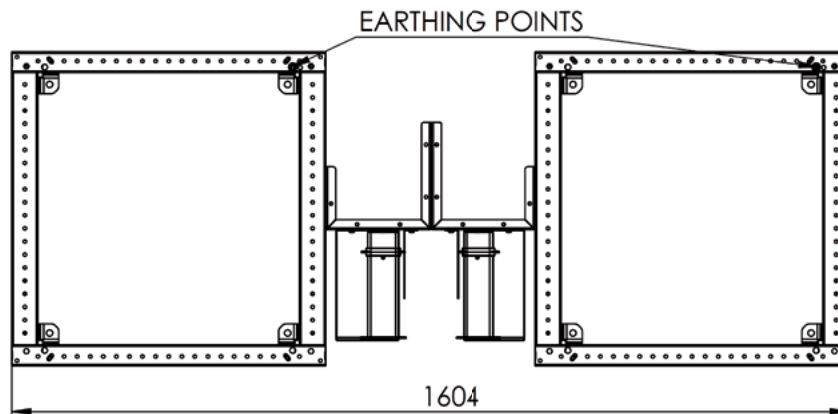
4. EQF earthing procedure

Before starting make sure that:

- there is enough room around the EQF to allow proper earthing procedure
- the concrete floor is even, leveled and clear from any debris
- a suitable and safe ladder is used

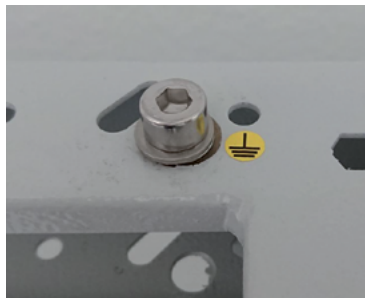
If any of the conditions above are not met or you have other concerns, do not proceed.

The earthing points can be found on top of the frames at the positions marked in the figure below.



3.1. Use a suitable and safe ladder.

3.2. Use a ratchet with 6mm allenkey insert to loosen the M8 screw.



3.3. Insert the screw first through one washer, then through the M8 ring terminal of the earthing cable, and then through the second washer.

3.4. Use the ratchet to fasten the M8 screw.

3.5. Repeat this procedure for all other earthing points

PPC sells this product with the understanding that the user will perform all necessary tests to determine the suitability of this product for its intended use, and will comply with PPC's specifications, which may include, among other things, PPC's installation and intended use guidelines. PPC manufactures its products in a manner to be free of material defects relative to its specifications. Should any such material defects occur in its products within no later than 2 years of the date of purchase, PPC may, upon prompt notification and proof of purchase and subject to its sole discretion, exchange or repair such goods, or refund the purchase price of such products. For the avoidance of doubt, PPC's warranties regarding its products shall only apply to the extent that its products are used in accordance with its specifications. For further information regarding PPC's terms and conditions of sale, please see <https://www.ppc-online.com/terms>.

This product may be protected by one or more patents • For further information, please visit: www.ppc-online.com/patents

customerservice@ppc-online.com • 1-800-800-6652 • www.ppc-online.com