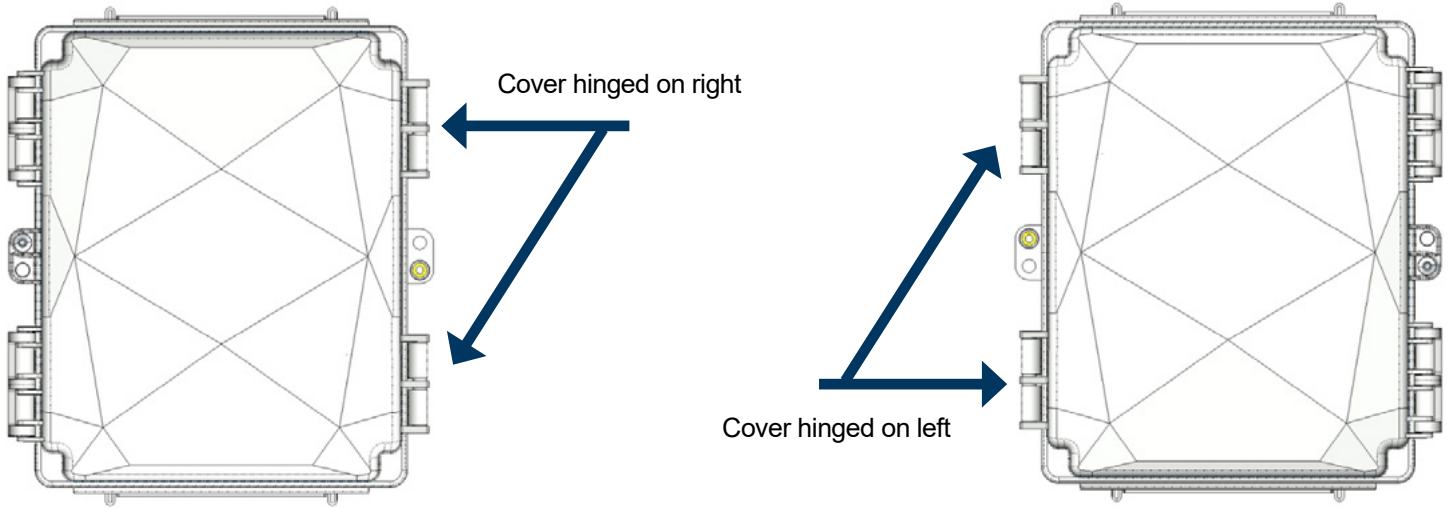


Sapphire™ Versatile Enclosure Installation Features

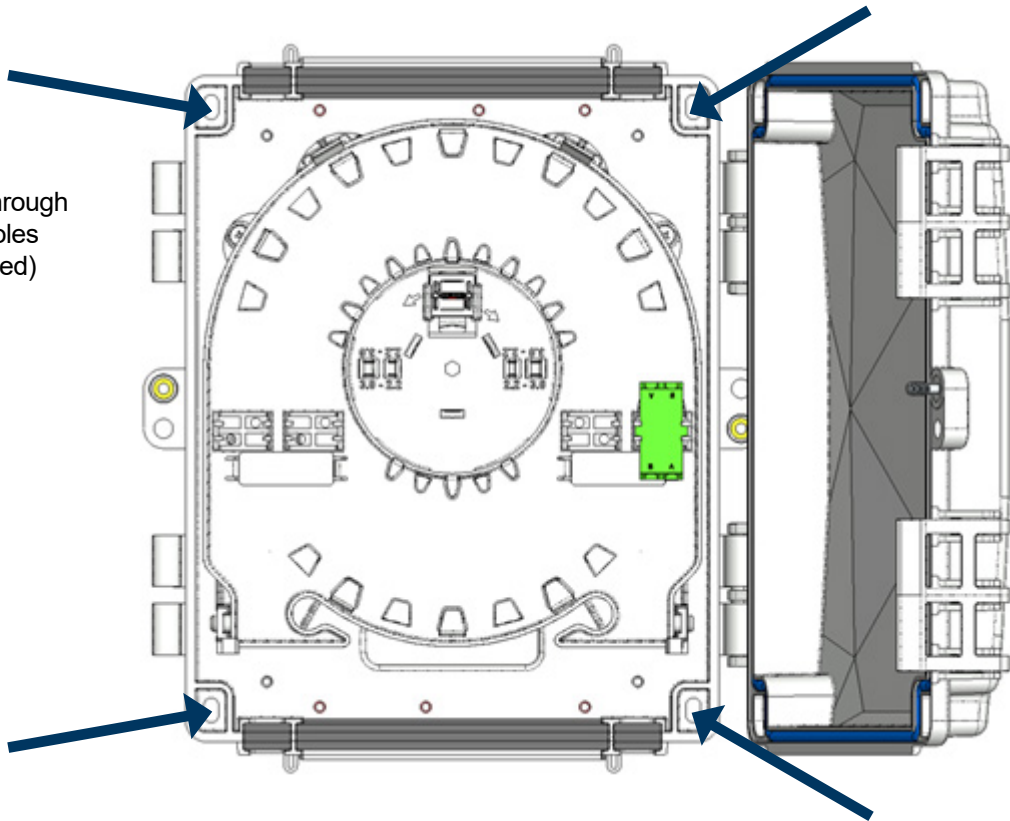


Ambidextrous Cover - Hinge on Either Side



Wall Mountable

Mount to wall or similar surface through the four screw holes (hardware included)

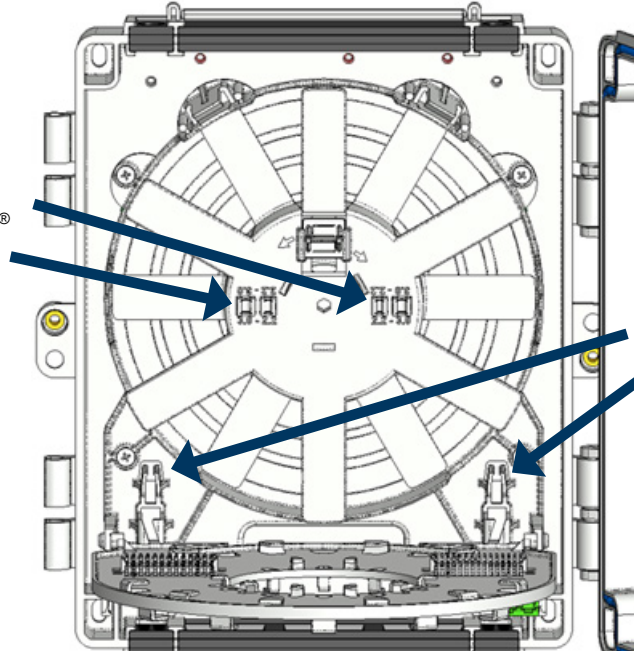


Sapphire™ Versatile Enclosure Installation Features



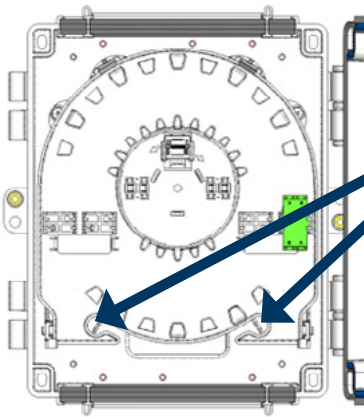
Parking Clips and Cable Guide

Parking clips for 2mm & 3mm Miniflex®

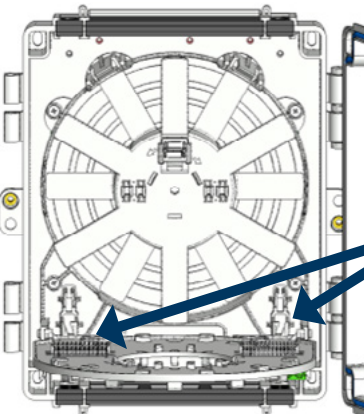


Cable guide for installing Miniflex into parking clip

Splice Tray and Slack Storage

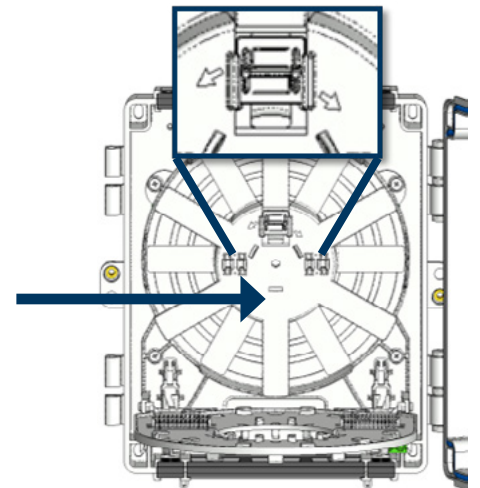


Cable transition slots for organizing Miniflex



Hinged splice tray for fiber management and splice holders for crimp or heat shrink splice protectors

Rotating slack storage wheel with locking mechanism to prevent cable de-spooling

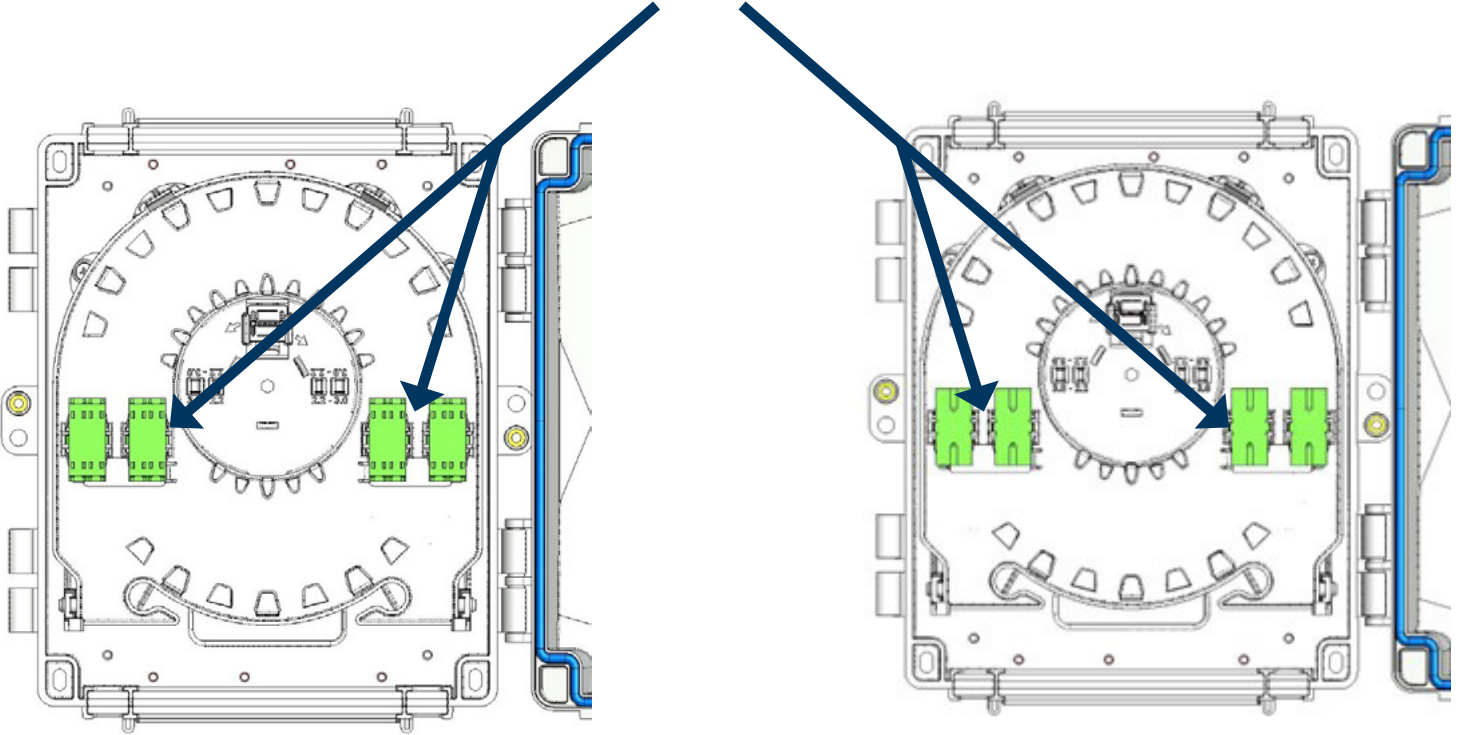


Sapphire™ Versatile Enclosure Installation Features



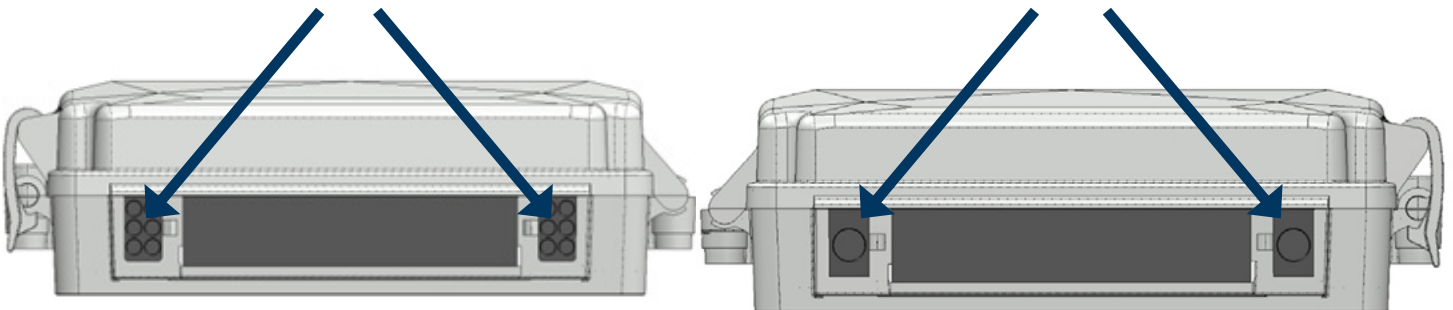
SC Simplex or LC Duplex Adapters

Patch section to accommodate
4 SC Simplex or 4 LC Duplex adapters



Interchangeable Rubber Bungs

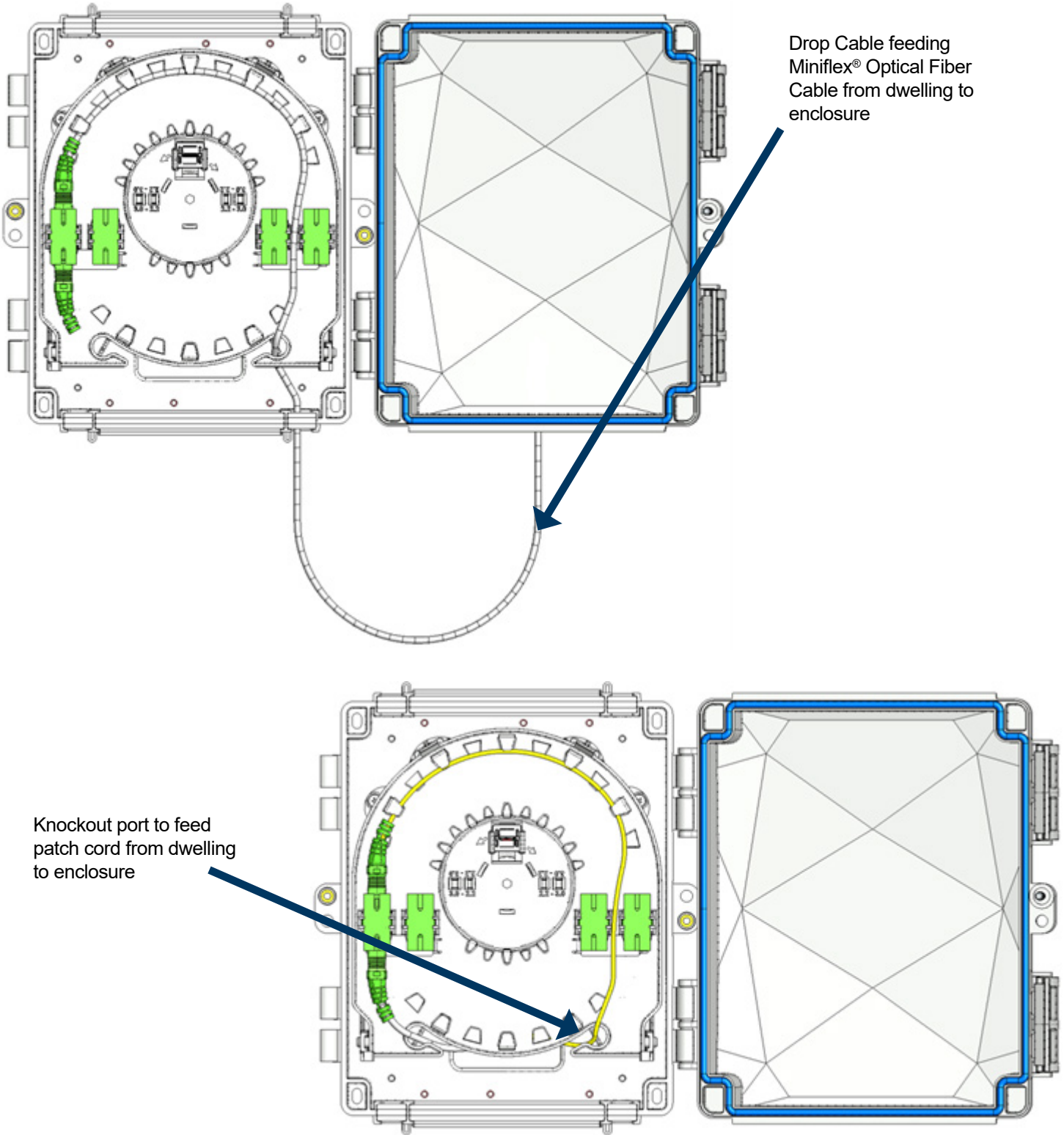
Interchangeable rubber bungs can
accommodate Miniflex® fiber cable or microduct



Sapphire™ Versatile Enclosure Installation Features



Drop Cable and Knock Out Window POE



r1_05072024