

LGX Splitter Modules



Features & Benefits

- Compatible with all LGX footprint chassis
- Front input/output ports
- SC simplex or LC duplex ports
- Standard nylon locking pins; 118mm
- N:2 through N:32 configurations
- Bi-directional performance with accurate split ratios
- Ultra-broadband range (1260 ~ 1650nm)
- Low insertion loss; excellent uniformity
- GR-326, GR-1209 and GR-1221 compliant



Overview

PPC's LGX Splitter Modules provide a well-known platform for the growth and expansion of PLC splitter usage and to distribute optical signals from central office to multiple premises locations in FTTx deployments and other passive optical networks.

The LGX splitter modules install easily inside the 1U and 3U LGX snap-in splitter shelves. Each LGX splitter module incorporates one or two SC or LC input ports and 2, 4, 8, 16 or 32 SC or LC output ports.

For a central office split, the N:2 or N:4 splitter can be deployed and for a cascaded split in the street cabinet, the N:8, N:16 or N:32 splitter can be used. Simplex patch cords or 8-fiber harnesses can be used for cross connection between the panels.

Applications

- Central Office, POP sites or MDU(s)

Standards

- GR-326, GR-1209 and GR-1221

Technical Data

Mechanical Data

Specification	Value
Front port type	SC simplex or LC duplex
Dimensions (W x H x D)	128.9 x 30.2 x 136.2 mm supports N:2, N:4, N:8 128.9 x 60.4 x 136.2 mm supports N:16 128.9 x 105.4 x 136.2 mm supports N:32
Material	Aluminium Alloy 5052 H-32, powder coated
Color	Black RAL 9005, Grey RAL 7035

Optical Data

Specification	Value
Operating wavelength	1260 ~ 1650nm
Return loss and Directivity	Min 55dB
Operating temperature	-40 °C to 85 °C (-40 °F to 185 °F)
Storage temperature	-40 °C to 85 °C (-40 °F to 185 °F)
Maximum input power	500mW
Fiber type	SM G.657.A2 (other on request)
Connector type	SC or LC (other on request)

LGX Splitter Modules

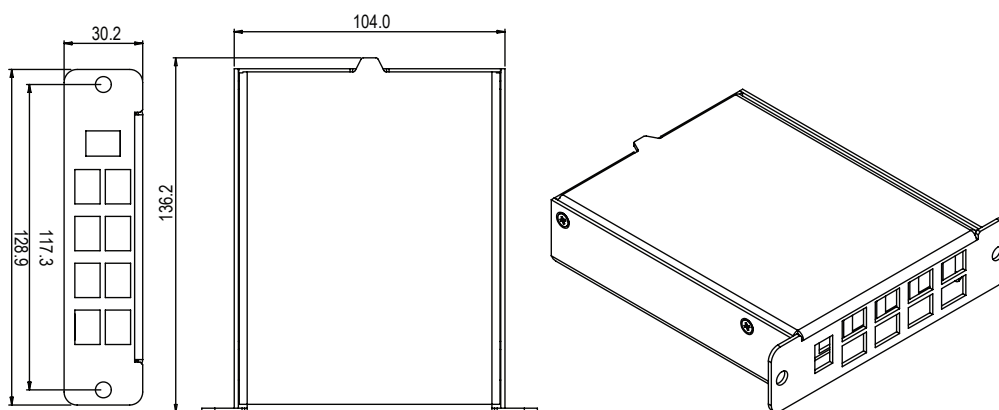


Technical Data

Optical Data cont.

Parameter	1x2	1x4	1x8	1x16	1x32	2x2	2x4	2x8	2x16	2x32
Insertion loss (dB)	3.8	7.0	10.4	13.6	17.0	4.2	7.6	10.8	14.0	17.5
Channel Uniformity (dB)	0.6	0.6	0.8	1.2	1.6	0.8	1.0	1.0	1.5	1.8
PDL(dB)	0.2	0.2	0.2	0.3	0.3	0.2	0.3	0.3	0.3	0.3
WDL (dB)	0.3	0.3	0.3	0.3	0.3	0.3	0.3	0.3	0.3	0.3
Connector loss (dB)	0.2	0.2	0.2	0.2	0.2	0.2	0.2	0.2	0.2	0.2

Technical Drawing



Ordering Information

LGX

4-6 7 8 9 10 11 12 13

4-6 Splitter Type

- 102 = 1x2
- 104 = 1x4
- 108 = 1x8
- 112 = 1x12
- 116 = 1x16
- 132 = 1x32
- 164 = 1x64
- 202 = 2x2
- 204 = 2x4
- 208 = 2x8
- 216 = 2x16
- 232 = 2x32

7 Input Connector

- 1 = SC
- 2 = LC

8 Input Connector Finish

- A = APC
- U = UPC

9 Output Connector

- 1 = SC
- 2 = LC

10 Output Connector Finish

- A = APC
- U = UPC

11 Fiber Type

- S = G.652D
- A = G.657A1 - BIF 10mm
- N = G.657A2 - BIF 7.5mm
- B = G.657B3 - BIF 5mm

12 Splitter Grade

- P = Premium
- S = Standard

13 Color

- B = Black
- G = Grey