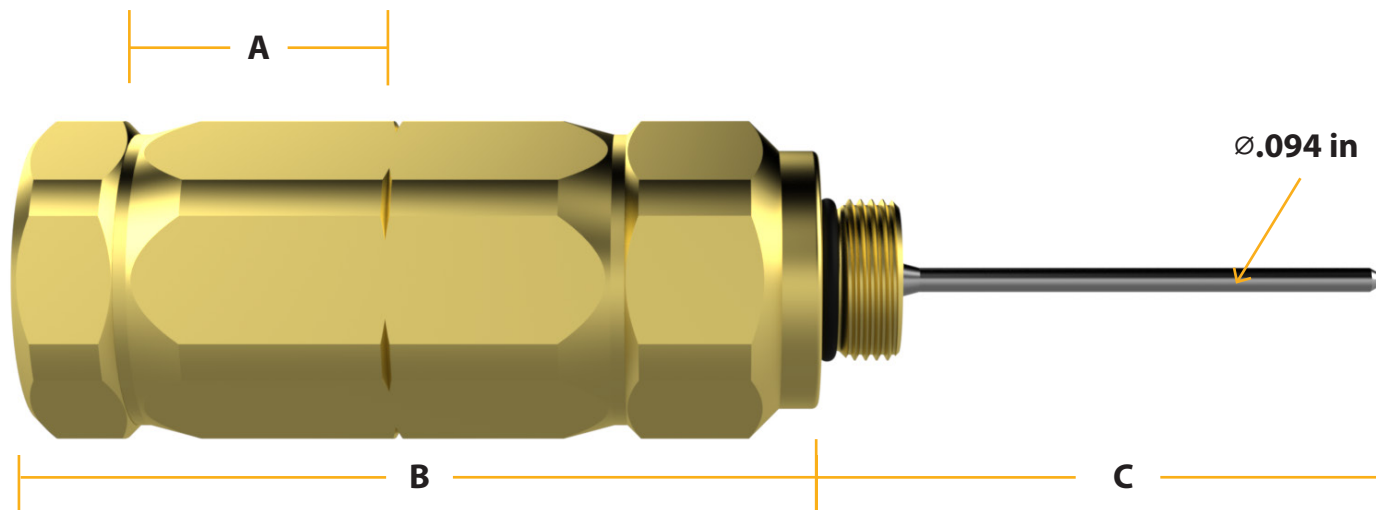


Hardline

3-Piece Power Feeder Connector



Mechanical Specifications

Connector	Hex Size <i>(inches)</i>	CC Trim Length (A) <i>(inches)</i>	Connector Length (B) <i>(inches)</i>	Pin Length (C) <i>(inches)</i>	Cable Retention <i>(lbs)</i>
TPPPF325	1 1/8	1	2.98	2.2	600
TPPPF50	1 1/8	1	2.98	2.2	600

Electrical Specifications

Operating Voltage	90 V (at 60 Hz continuous AC)
Operating Current Rating	25 Amps
Operating Temperature	-40°F to + 140°F (-40°C to 60°C)

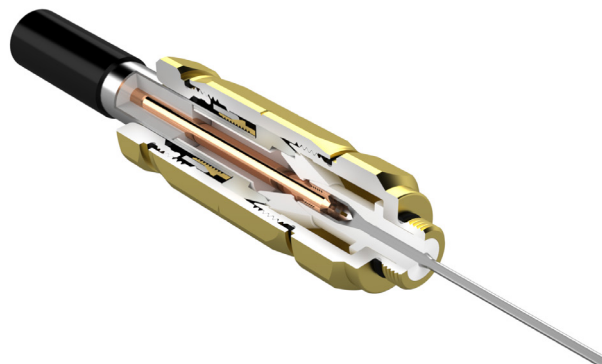
Meets or Exceeds all SCTE Specifications

Preparation & Installation Tools

Two (2) adjustable wrenches
Linemen's pliers or other appropriate cutters
Appropriate cable preparation tools

Cable Dimensions

Cable Series	Nominal Center Conductor Diameter <i>(inches)</i>	Nominal Sheath I.D. <i>(inches)</i>	Nominal Sheath O.D. <i>(inches)</i>	Diameter Over Jacket <i>(inches)</i>
625 PF	0.325	0.515	0.625	0.685
50 Ohm Power Cable	0.218	0.563	0.625	0.695



This product may be protected by one or more patents • For further information, please visit: www.ppc-online.com/patents

6176 E. Molloy Rd. East Syracuse, NY 13057 U.S.A. • customerservice@ppc-online.com • 1-800-800-6652 • +1 315-431-7200 • www.ppc-online.com