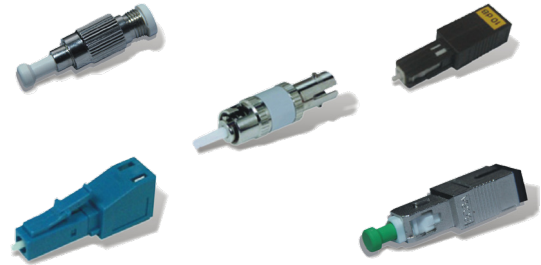


# Build-out Attenuator (BOA)



## Features & Benefits

- All-passive technology
- Available in ST, SC, FC, LC, & MU versions
- Higher performance SPC, UPC & APC options
- Metal ion doped fiber
- Extreme stability in thermal variations
- GR-910-CORE COMPLIANT
- Broadband performance, flat spectral response
- Environmentally stable
- High power endurance
- Mating Durability: <0.2dB over 1000 cycles



## Overview

PPC Build-out Attenuators (BOA) are used in communication systems to reduce optical power launched onto photo detectors. These high performance devices are designed to give accurate attenuation over a wide range of wavelengths. The plug type design allows for use directly on the ends of the fiber jumpers and insertion directly into the adapter.

Available in ST, FC, SC, LC, & MU styles with SPC, UPC & APC finish, BOAs have high return loss and superior performance. PPC BOAs comply strictly to the international standards and all fully-compatible with other standard products

## Application

- DWDMs
- Overpowered fiber optic systems
- Long-haul telecommunications
- Telecoms, CATV, LAN & WAN
- Fiber-in-the-Loop (FITL)
- PON and Fiber Optic Communications Systems
- Test and measurement set up

## Specification

Specification	Value	
Package Type	SC, ST, FC, LC & MU	
Available Range of Attenuation	1 to 30 dB with 1dB increments (or custom attenuation within this range)	
Operating Wavelength	1310nm and 1550nm (Or single wavelength)	
Operating Band Pass	Digital Band (Telcordia Spec.)	1260-1360nm and 1430-1580nm
	S + C + L Band	1480-1610nm
	Special Band Pass	1310±25nm and 1470-1610nm
	Single Window	1280-1340nm or 1510-1590nm
	Dual Window	1310 and 1550nm (±25nm)

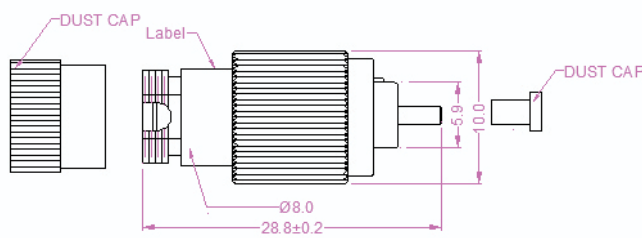
# Build-out Attenuator (BOA)



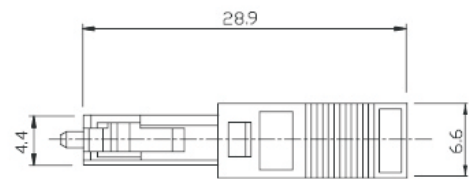
## Specification

Attenuation Tolerance	Grade	
	Premium	Standard
Attenuators up to 5dB	$\pm 0.5$ dB	$\pm 0.75$ dB
Attenuators, 6 to 10dB	$\pm 10\%$ of attenuation	$\pm 15\%$ of attenuation
Attenuators, 11dB to 19dB	$\pm 10\%$ of attenuation	$\pm 15\%$ of attenuation
Attenuators, 20dB to 30dB	$\pm 10\%$ of attenuation	$\pm 15\%$ of attenuation
Reflectance, SPC	= 50 dB	
Reflectance, UPC	= 55 dB	
Reflectance, APC	= 60 dB	
Operating Temperature	-40 to +75°C	
Storage Temperature	-40 to +85°C	

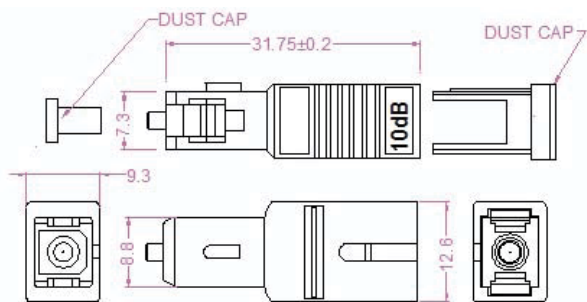
## Size & Dimension



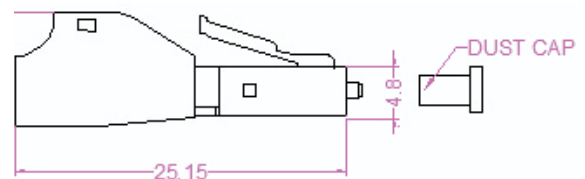
FC Type



MU Type



SC Type



LC Type

(All dimensions in mm)

# Build-out Attenuator (BOA)



## Ordering Information

### ATN

4-5

6

7

8

9-10

11-12

**4-5.** Attenuation

01 = 1dB

05 = 5dB

10 = 10dB

30 = 30dB

**6.** Grade

P = Premium

S = Standard

**7.** Connector Type

1 = SC

2 = LC

3 = FC

4 = ST

**8.** Polish Type

A = APC

U = UPC

P = PC

**9-10.** Operating Wavelength

30 = 1310nm

50 = 1550nm

35 = 1310 & 1550nm

24 = 1260 to 1360 & 1430 to 1580nm

**11-12.** Band Pass

SW = Single Window

DW = Dual Window

SC = S+C+L Band

SL = Special Band Pass

DB = Digital Band (Telcordia)