

# Cable Manager

## 12" Ring



### Features & Benefits

- Secures and retains patch cables
- Maintains proper bend radius
- Cable transition from horizontal to vertical channels
- Custom design for 12-inch mounting for SOHO cabinets
- Modern design and simplicity of mounting



### Overview

PPC's 12" 1U ring cable manager is constructed using steel and finished in powder coated black, with 50 mm deep steel rings. The ring guides allow patch cords to exit at any point and provide a pleasing look to the cabinet.

The cable manager is designed for use in 12" rack environments for managing patch cords that are connected between patch panels and the network switch. It's recommended that one cable manager is mounted between every patch panel or network switch.

PPC's cable manager delivers excellent support when used in conjunction with other PPC 12" products.

### Applications

- Standard 12" rack compatible
- Used between patch panel and network switch in racks and cabinets

### Standards

- IEC 60297-3
- EIA-310-E
- DIN 41494-1, 7

### Technical Data

#### Mechanical Specification

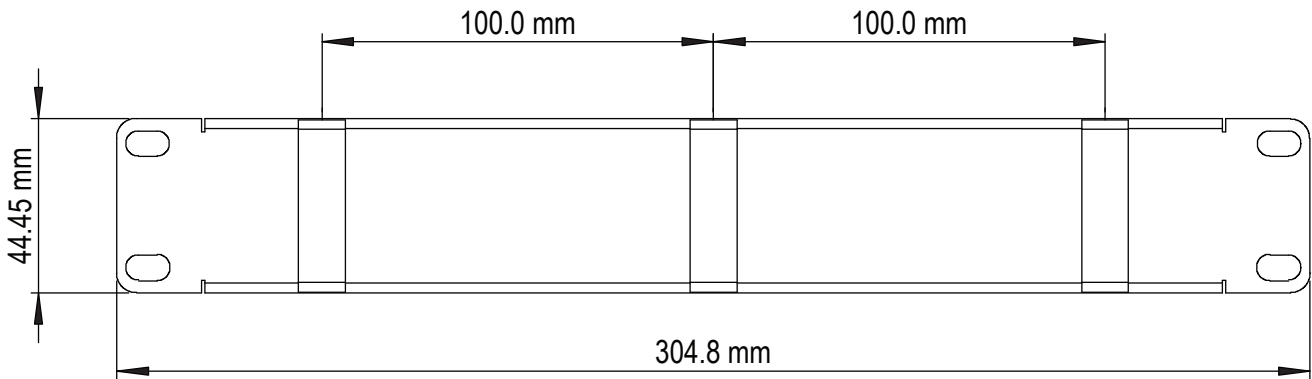
Specification	Values
Dimensions (W x D x H)	See technical drawing
Material	Housing – Steel 1.5mm
Finish	RAL 9017, Black, fine texture finish

# Cable Manager

## 12" Ring



### Technical Drawing



### Ordering Information

Part Number	Description
SCSCMM121UB	12" Cable manager with 3-metal rings, 1U

rev2\_02272023

This product may be protected by one or more patents • For further information, please visit: [www.ppc-online.com/patents](http://www.ppc-online.com/patents)

[customerservice@ppc-online.com](mailto:customerservice@ppc-online.com) • 1-800-800-6652 • [www.ppc-online.com](http://www.ppc-online.com)