

Fiber Distribution Box



Features & Benefits

- Allows for mid-spanning
- Allows for splitter configurations with LGX cassette (1x8 and 1x16), tube type and ABS
- Allows for adapter plate configuration
- Separate splice options for mid-span (main cable entry) and splitting/patching
- Provides enhanced cable management with cable guides
- Option to use padlock
- Option to provide earthing if required



Overview

The PPC Fiber Distribution Box is a multi-purpose, robust enclosure made with high-grade industrial plastic. The box can be used as a 16-core splitter enclosure or distribution unit based on the customer need, and can be deployed in indoor or outdoor applications. The distribution box is designed to be robust and is provisioned with sufficient RIBS to withstand any high external impact. It has multiple configurations, making it universal for use with flat drop cables and up to 6mm round FTTH cables.

Application

- Telecommunication Networks
- CATV networks
- FTTH access networks
- Local area networks
- Data communications networks

Technical Data

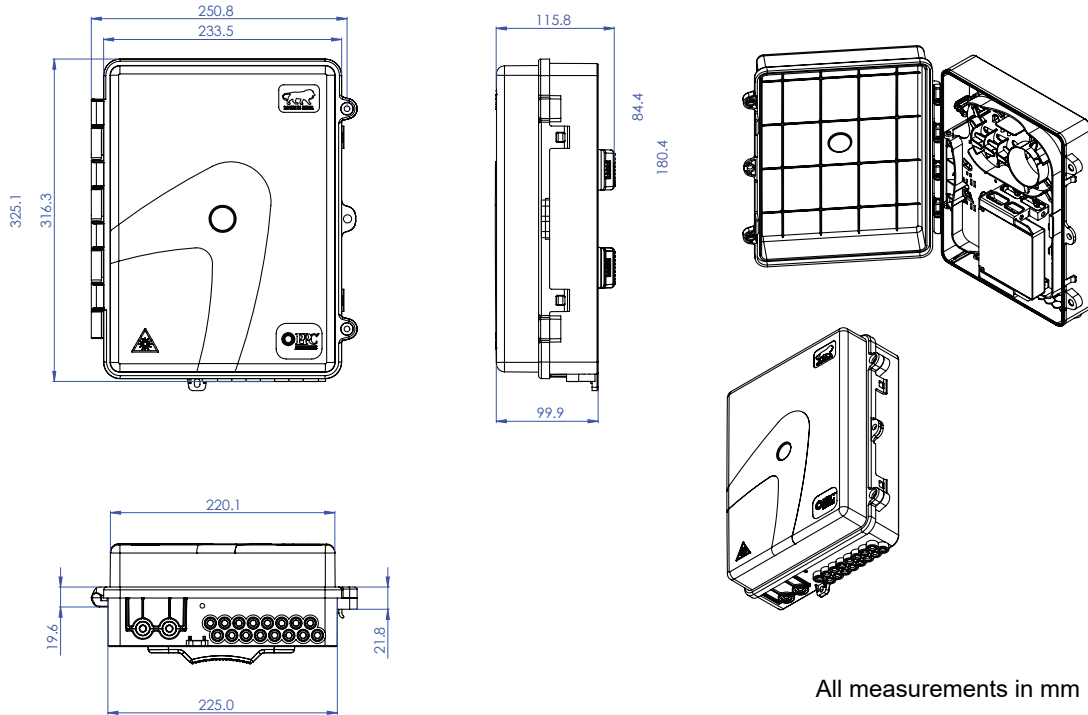
Mechanical Data

Specification	Value
Dimensions (H x W x D)	320 x 265 x 120 mm
Splice Capacity	24F
Type of Systems	Wall Mount type/ Pole Mount
Cable Mounting	Vertical
Incoming Cable Ports	2 cables with 14mm diameter or 2 cables with 6mm diameter
Outgoing Cable Ports	16 fiber of diameter 2x3mm flat drop cable or 16 fiber of diameter 6mm
Color	Grey RAL7035
Material	ABS
Cable Retention Pull Force (Inlet cable)	6 kg
Cable Retention Pull Force (Round Drop Cable 6.0mm)	3 kg
Retention Pull Force (Flat Cable 2x3)	2 kg

Fiber Distribution Box



Technical Drawing



All measurements in mm

Product Images



Fiber Distribution Box



Ordering Information

Example

FDB | A | - | 2 | 4 | 1 | 2 | 4 | 3 | A | 3 | G | G | A | B | - |
 4 | 5 | 6 | 7 | 8 | 9 | 10 | 11 | 12 | 13 | 14 | 15 | 16 | 17 | 18

- | | | |
|--|--|--|
| <p>4 Type
 A = 24F Adapter Plate
 L = LGX Module</p> | <p>9 Connector/ Adapter Type
 1 = SC Simplex (1 Port)
 2 = LC Duplex (2 Port)
 Empty = Unloaded</p> | <p>16 No. of Splice Trays
 A = 1 unit of 12F tray
 B = 2 unit of 12F tray
 C = 3 unit of 12F tray</p> |
| <p>5 Configuration
 UNLD = Unloaded
 Empty = Loaded</p> | <p>10 Polish Type
 A = APC
 U = UPC
 Empty = Unloaded</p> | <p>17 Accessories
 S = Standard Kit (12x Splice Sleeve, Wall Mount, 1.5m Transportation Tube, 5x Cable Ties, Key)
 P = Pole Mount Kit (12x Splice Sleeve, Wall Mount, Pole Mount, 1.5m Transportation Tube, 5x Cable Ties, Key)
 A = Standard Kit + 1 SC/APC Pigtail 1.5m , IPA Bottle & Tissue Paper
 B = Standard Kit + 2 SC/APC Pigtail 1.5m , IPA Bottle & Tissue Paper
 C = Standard Kit + 1 LC/APC Pigtail 1.5m , IPA Bottle & Tissue Paper
 D = Standard Kit + 2 LC/APC Pigtail 1.5m , IPA Bottle & Tissue Paper
 E = Pole Mount Kit + 1 SC/APC Pigtail 1.5m, IPA Bottle & Tissue Paper
 F = Pole Mount Kit + 2 SC/APC Pigtail 1.5m, IPA Bottle & Tissue Paper
 G = Pole Mount Kit + 1 LC/APC Pigtail 1.5m, IPA Bottle & Tissue Paper
 H = Pole Mount Kit + 2 LC/APC Pigtail 1.5m, IPA Bottle & Tissue Paper
 I = Standard Kit + Fully loaded Pigtailed 1.5m, IPA Bottle & Tissue Paper
 J = Pole Mount Kit + Fully loaded Pigtailed 1.5m, IPA Bottle & Tissue Paper</p> |
| <p>6 Component Type
 1 = LGX PLC Splitter Module
 2 = LGX Adapter Module
 3 = 24F Adapter Plate Loaded with 900 micron 1.5m Pigtailed
 4 = 24F Adapter Plate With PLC Splitter 900 micron tails 1.5m
 5 = 24F Adapter Plate With ABS Type PLC Splitter 2.0mm 1m
 Empty = Unloaded</p> | <p>11 Adapter Loading
 2 = 2 Port
 3 = 3 Port
 4 = 4 Port
 A = 6 Port
 B = 12 Port
 C = 24 Port
 Empty = Unloaded or Loaded with PLC Splitter</p> | |
| <p>7 PLC Configuration *
 2 = 1:2
 4 = 1:4
 8 = 1:8
 A = 1:16
 B = 2:8
 C = 2:16
 Empty = Unloaded or Not loaded with PLC</p> | <p>12 Incoming Port
 A = 12mm
 B = 6mm/12mm</p> | |
| <p>8 No. of PLC **
 1 = 1 unit
 2 = 2 unit
 Empty = Unloaded or Not loaded with PLC</p> | <p>13 Drop Ports
 2 = 2x3mm Flat Drop
 3 = 3mm Round
 6 = 6mm Round</p> | |
| | <p>14 Color ***
 G = Grey
 B = Black</p> | <p>18 Custom Config/Branding ****
 XX = Customization Keyword
 Empty = No Customization</p> |
| | <p>15 Grounding
 G = Grounding Required
 Empty = No Grounding</p> | |

Note:

* 2:8 LGX variants are available with LC Connectorization Only

** - LGX Splitter 1:8, 2 units can be loaded
 -LGX Splitter 1:16 , 1 Unit can be loaded
 -ABS Splitter , 1 unit can be loaded
 -Integrated Splitter, 2 Units can be Mounted

*** MOQ for Black Color is 3000 Units

**** MOQ for Customization is 10,000 Units

r1_09182023