

Field Termination Connector



Features & Benefits

- SC and LC interfaces
- Available in UPC and APC end face finish
- Singlemode and multimode
- Fast installation in less than a minute
- All types of fiber and cable diameter
- Re-usable
- Low insertion loss



Overview

PPC field termination connectors, also known as “pre-polished connectors,” are designed to provide fast on-site installation. Field installation of 250 or 900um fiber, 2.0, 3.0mm or flat cable is achieved without the need for power or advanced polishing techniques. The pre-assembled connector can be installed in under a minute and re-used several times. It provides a reliable and durable optical connection and is especially suitable for advanced fiber optic systems requiring exceptional stability and low back reflections.

Application

- FTTH/x networks
- Optical communication systems
- Local area networks
- Optical cable interconnect
- Telecoms

Technical Specification

Optical Data

Specification	Value
Fiber type	OS2, OM1, OM2, OM3, OM4
Connector Insertion Loss	Typical ≤ 0.3 dB
Connector Return Loss	Typical ≥ 50 dB UPC, ≥ 55 dB APC, ≥ 20 dB PC (MM)
Technology	V-groove technology
Supported cables	900um, 2.0mm, 3.0mm, flat cable 2 x 3mm

Environmental Data

Specification	Value
Operating temperature	-45°C to +85°C (+75°C for LC)
2011/65/EC RoHS	Fully compliant

Field Termination Connector



Technical Drawing

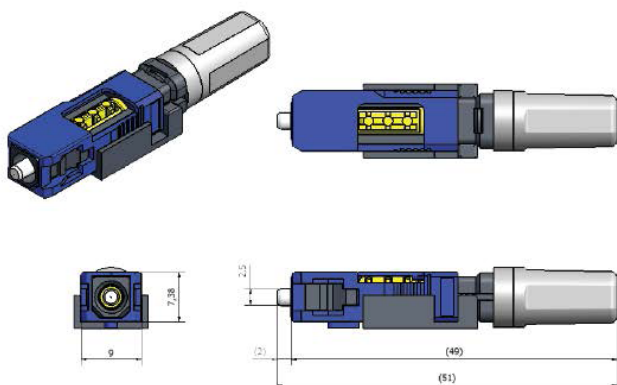


Fig 1: SC Quick Assembly Connector

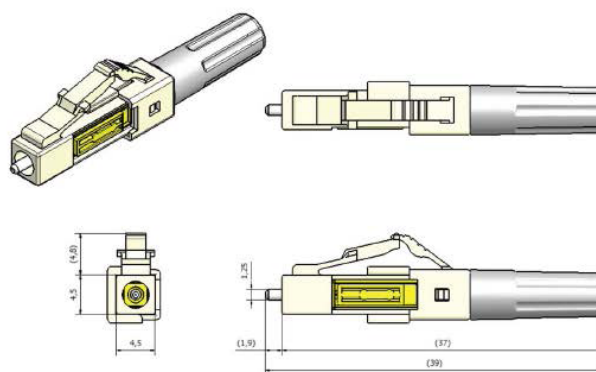


Fig 2: LC Quick Assembly Connector

Ordering Information

QAC

4 5 6 7 8

4. Select Connector

- 1 = SC Connector
- 2 = LC Connector

5. Select Connector Finish

- P = PC
- U = UPC
- A = APC

6. Select fiber type

- 1 = OM1
- 2 = OM2
- 3 = OM3
- 4 = OM4
- S = SM G652D
- A = G.657A1- BIF 10mm
- N = G.657A2- BIF 7.5mm
- B = G.657B3- BIF 5mm
- G = G.655

7. Select Cable

- 1 = 0.250mm
- 3 = 0.9mm
- 6 = 2.0mm
- 7 = 3.0mm
- F = Flat Cable
- U = Universal for 0.9, 2.0 and Flat Cable

8. Select Color

- U = Blue
- G = Green
- I = Biege



rev3_10122022