

FutureLink® 15-inch In-Wall Surface Media Enclosure



Features & Benefits

- UL 1863 Listed and made from white 94V-0 ABS plastic material
- Meets UL 2416 Fire Resistance for in-wall installation
- Hinged Ventilation Door (opens to the left or right)
- Knockouts for cable entry/exit and AC power outlets
- Base Enclosure Dimensions: 15 in x 14.4 in x 3.4 in (HxWxD)
- Hinged Door Dimensions: 18 in x 18.5 in x 0.6 in (HxWxD)
- Base and Door packaged separately (6 per carton)



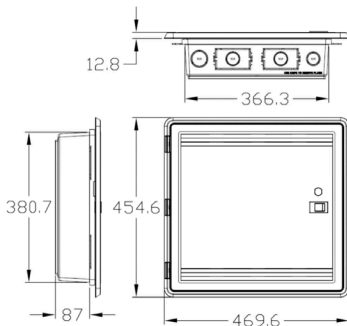
Overview

The FutureLink® In-Wall Surface Media Enclosure is an attractive, all-plastic low-profile panel that is ideal for installing active and passive equipment in a residential or commercial single-family unit (SFU), multi-dwelling unit (MDU) or multi-tenant unit (MTU) application. The all-plastic design and vented door cover makes this media panel compatible with ONTs, gateways and wireless routers.

The base panel includes a protective cover on the back side, to ensure that all module mounting holes are unblocked and available for use. The reversible flush-mounted door can be installed after drywall and can be configured to open to the left or right. Knockouts on the top and bottom surfaces allow for cable entry and exit, and provide for two AC power outlets.

Technical Data

Item	Weight	Dimensions (HxWxD)	Compliance
SME15AP-BASE	0.8 lbs (0.4 kg) each	15 in x 14.4 in x 3.4 in (762 mm x 366 mm x 87 mm)	UL 1863 Listed. Meets UL 2416 Fire Resistance (for in-wall installation) with UL 94V-0 ABS Material.
SME15AP-DOOR	0.8 lbs (0.4 kg) each	18 in x 18.5 in x 0.6 in (837 mm x 471 mm x 15.8 mm)	



Ordering Information

Part Number	Description
SME15AP-BASE	15 inch Plastic Panel with Rough-in Protective Cover (6 Per Box)
SME15AP-DOOR	15 inch Plastic Reversible Door and Door Frame (6 Per Box)