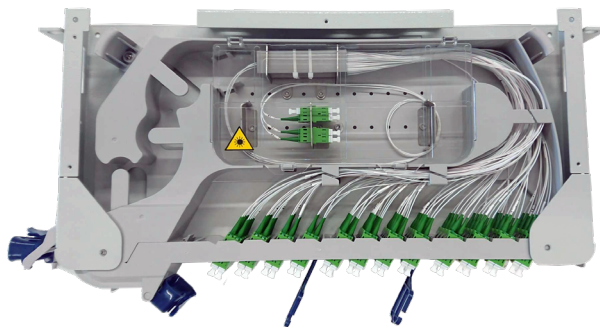


Optiscale Pivoting Internal Splitter Chassis, 1U



Features & Benefits

- 1U, 19" standard panel (IEC 60297-3), RAL7035
- Capacity of 96 PON connections
- 96 x LC ports per 1U
- Pivoting design for fast and safe access to connectivity
- Pivot side: Left handed
- Angled adapters for laser safety and improved cable routing
- Horizontal patch cord support and rotating cord guide
- Rail fixing option: Rear
- Loaded with 3 x 1:32 splitters
- Internal adapter for input cable connection
- Input cable entry from the front
- Bend-insensitive fiber G.657 A2



Overview

The PPC Pivoting Splitter Chassis is a rear-mounted, high density fiber management system that allows up to 96 x LC splitter connections to be distributed in a single 1U of rack space. The pre-terminated PLC splitters are fixed inside of the chassis where they are patched to angled LC adapters.

The PPC Pivoting Splitter Chassis is 'pre-configured' and 'installation-ready' with an initial capacity of 96 PON connections.

Technical Data

Optical Data 1:32 splitter

Operating wavelength	Return loss	Directivity	Maximum input power	Fiber type	Insertion Loss
<i>nm</i>	<i>dB</i>	<i>dB</i>	<i>mW</i>		<i>dB</i>
1260 ~ 1650	55	≥55	≤ 300	G.657.A2	16.8

Uniformity	PDL	Wavelength Dependent Loss	Temperature Loss	Connector Loss
<i>dB</i>	<i>dB</i>	<i>dB</i>	<i>dB</i>	<i>dB</i>
1.5	0.3	≤ 0.5dB	≤ 0.5dB	≤ 0.3dB

Environmental Data

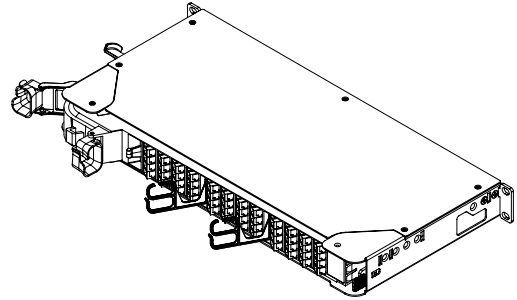
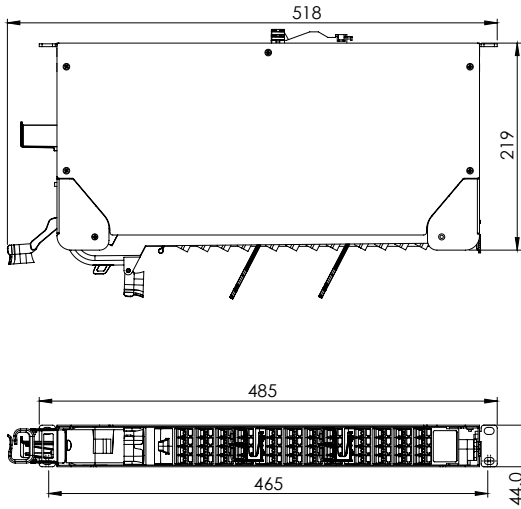
Operating temperature	2011/65/EC RoHS	Environmental protection
<i>°C (°F)</i>		
-10 to 60 (14 to 140)	Fully compliant	IP20, indoor use only

Optiscale Pivoting Internal Splitter Chassis, 1U

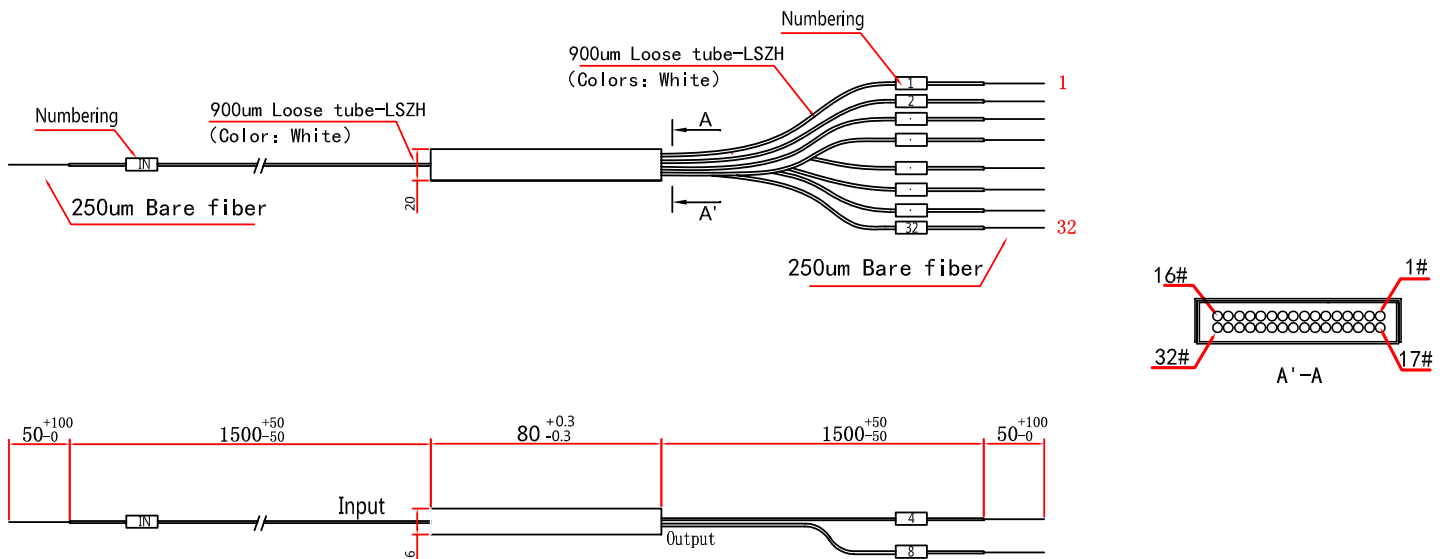


Technical Drawing

Pivoting Chassis



Splitter



Ordering Information

Part Number	Description
SP01113132LALA12-0	Pivoting Splitter Chassis, LH, 1U, pre-loaded with 3x1:32 PLC splitters

rev1_10192023



These products may be protected by one or more patents. For further information, please visit: www.ppc-online.com/patents

6176 E. Molloy Rd. East Syracuse, NY 13057
 bbs.cs@belden.com
 1-800-800-6652 • +1 315-431-7200

