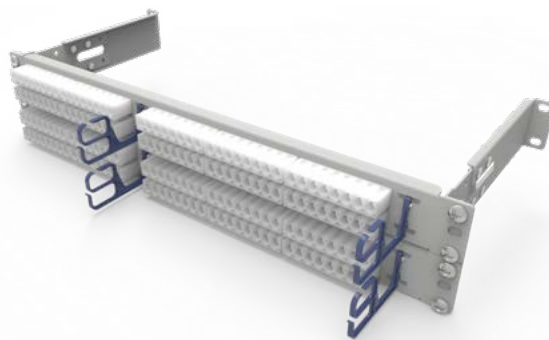


Parking Panel for Connector Parking with Dust Cap



Features & Benefits

- 80 LC parking positions per 1U
- Proprietary, unique PPC design
- Dust cap stays on the parked connector
- Cable management
- 2U extension for adjustable depth for use with rear mounting
- Rail fixing option: Rear and front
- Outdoor and indoor installation
- Color: Light Grey, RAL 7035
- Material – Powder Coated Steel



Overview

The PPC Parking Panel provides an innovative parking system for connectors. It has been specially developed to park connectors with dust caps, while also providing proper fiber management. Provided are 80 LC parking positions per 1U and 160 positions per 2U. The panel is available with extension arms for rear mounting or without extension arms for front mounting. The extension arms are depth-adjustable and are also available separately.

Technical Data

Mechanical Data

Material	Color
Steel chassis (powder coated), plastic ABS	Light Grey, RAL 7035
Capacity	Mounting type
160 or 80 LC parking positions	465 mm (19 in)

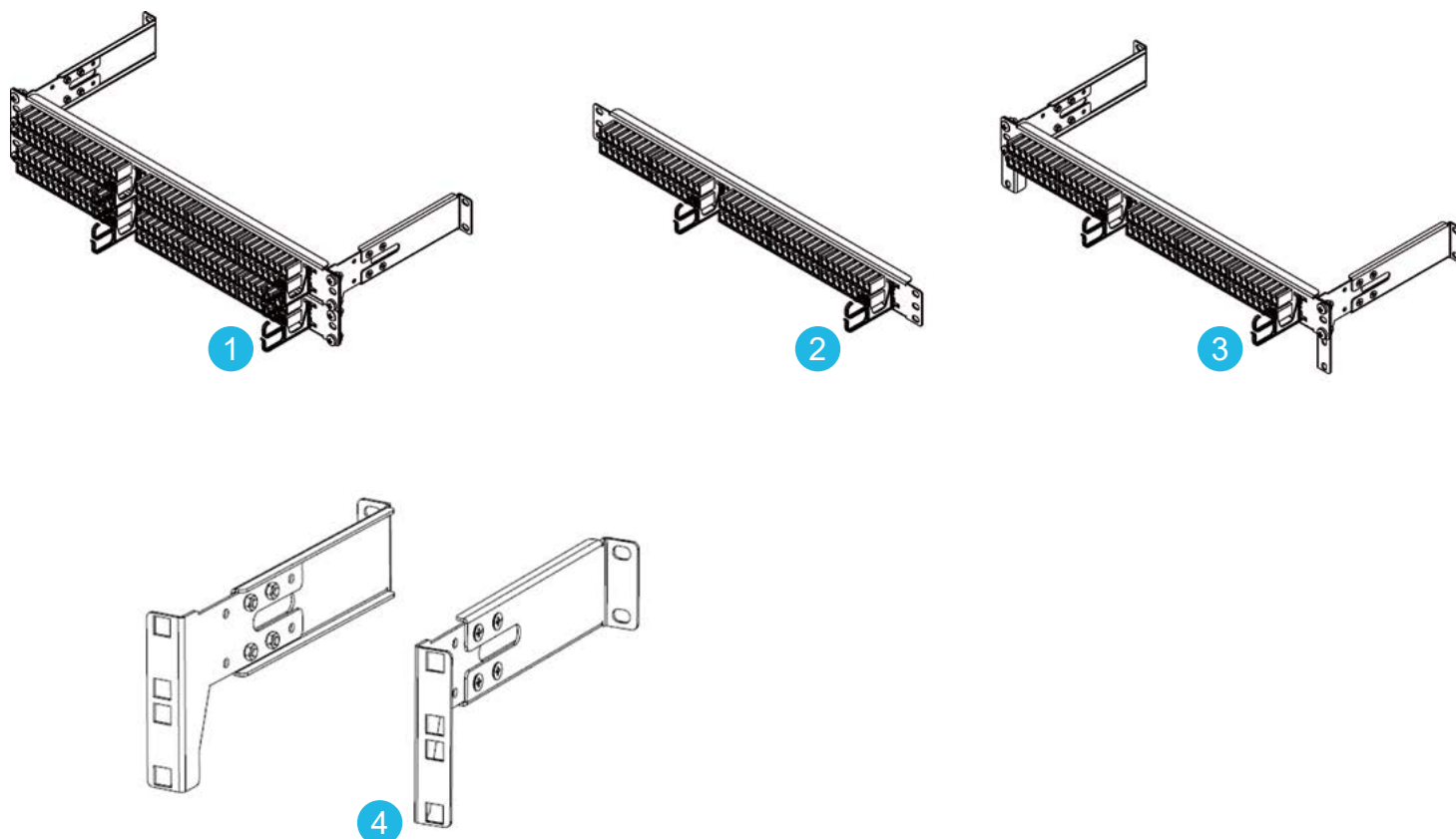
Environmental Data

Free of halogen	2011/65/EC RoHS
Yes	Fully compliant

Parking Panel for Connector Parking with Dust Cap



Technical Drawing



Ordering Information

Item	Part Number	Description
1	PP1R2ULC1607035	2U Parking Panel with 160 LC parking positions and extension arms
2	PP1F1ULC0807035	1U Parking Panel with 80 LC parking positions
3	PP1R2ULC0807035	2U Parking Panel with 80 LC parking positions and extension arms
4	PP2R2U000037035	Set of extension arms