

Sapphire™ Dome Splice Closure, M-Series, 12 – 288 Fiber



Features & Benefits

- Cold (gel) or heat shrink sealing
- Express port for pass-through application
- Compatible with a wide range of distribution and drop cables
- Robust, chemical resistant body, ribbed for additional mechanical strength
- IP-68 rated
- 6 splice trays and uncut tube storage basket
- Supports PLC and pre-connectorized applications



Overview

The PPC Sapphire™ dome fiber optical splice closures are specially designed to provide reliable and long-lasting protection for optical fibers and splices, combined with maximum ease of installation and maintenance. All cable ports are sealed using a wide range of cold gel sealing insert, or conventional heat shrink sealing sets are available upon request.

The flexible port configuration and wide range of gel sealing gaskets allows the Sapphire splice closures to serve as both distribution and customer connection drop closures.

Applications

- Branching and straight through joints
- Wall, pole or strand mount
- Underground or overhead
- Especially suitable for FTTH fiber drop cable distribution

Standard Compliances

- IEC 61300-2-4 – Cable Retention
- IEC 61300-2-37 – Cable Bending
- IEC 61300-2-12 – Impact
- IEC 61300-2-34 – Solvents and Contaminating Fluids
- IEC 61300-2-14 – Temperature Change
- IEC 61300-2-37 – Crush and Load Resistance
- IEC 61300-2-5 – Torsion
- IEC 61300-2-37 – Vibration
- IEC 61300-2-23 – Waterhead 6m (20ft)
- GR-771 5.3.2 Sheath Retention
- GR-771 5.3.3 Cable Flexing
- GR-771 5.3.4 Cable Torsion
- GR-771 5.4.6 Waterhead 6m (20ft)

Sapphire™ Dome Splice Closure, M-Series, 12 – 288 Fiber



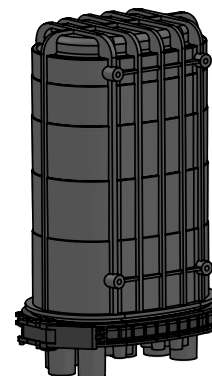
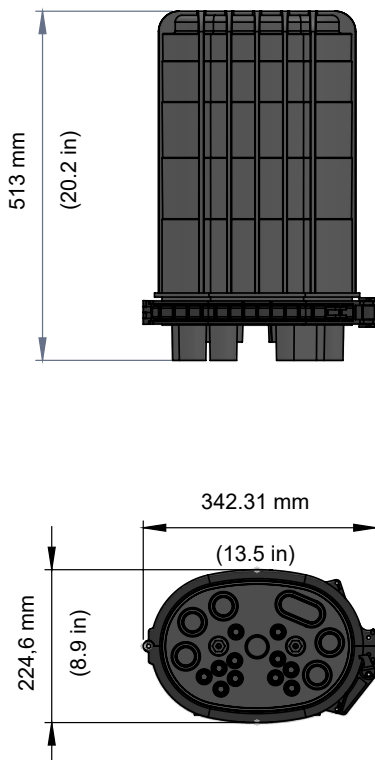
Mechanical Data

Dimensions (W x D x H)	Material
See technical drawing	Dome, Base, Sealing Clamp: High impact resisting PP + 20% FG Splice Cassettes - PC + ABS Port sealing inserts - Silicon Grounding and cable brackets – galvanized metal
Cable ports	IP rating
1 Oval port, max 12 mm (.7 in) diameter 5 Round ports, max 20 mm (.9 in) diameter 11 drop cable ports, max 7 mm (.3 in) diameter	IP 68
Sealing Method	Splice Tray
Mechanical	6 splice cassettes for 12-48 individual or 6-24 ribbon splice protectors

Environmental Data

Storage temperature	Operation temperature
-40 to +70°C (-40 to 158°F)	-40 to +70°C (-40 to 158°F)

Technical Drawing



Sapphire™ Dome Splice Closure, M-Series, 12 – 288 Fiber



Ordering Information

Part Number	Description
DSCG-M00	Fiber Optic Dome Splice Closure Series M, for gel or heat shrink sealing, splice cassettes and sealing ports not included
DSCG-MST48HS	Splice tray for M splice closure up to 48 heat shrink splice protectors, stranded fiber
DSCG-MST24RB	Splice tray for M splice closure up to 24 heat shrink splice protectors, ribbon fiber
DSCG-SOGL	Cable sealing set for oval port –Gel type
DSCG-SRGL114	Cable sealing set for Round port –Gel type one cable 11-14 mm (.43 - .55 in)
DSCG-SRGL116	Cable sealing set for Round port –Gel type one cable 14-16 mm (.55 - .6 in)
DSCG-SRGL120	Cable sealing set for Round port –Gel type one cable 18-20 mm (.7 - .8 in)
DSCG-SRGL211	Cable sealing set for Round port –Gel type two cables 8-11 mm (.3 - .4 in)
DSCG-SDGL107	Cold seal for single drop port – Gel type for cable 5-7mm
DSCG-SRGL407	Cable sealing set for Round port –Gel type four cables 5-7 mm (.2 - .3 in)
DSCG-PML	Pole mount bracket for Medium / Large closure

Feeder Grommet

Type of Sealing	Type of Cable	Color
Cold Sealing	1x 5-7 mm (.2 - .3 in) diameter	Yellow
Cold Sealing	4x 5-7 mm (.2 - .3 in) diameter	Yellow
Cold Sealing	2x 8-11 mm (.3 - .4 in) diameter	Red
Cold Sealing	2x 11-14 mm (.43 - .55 in) diameter	Green
Cold Sealing	1x 14-16 mm (.55 - .6 in) diameter	Blue
Cold Sealing	1x 18-20 mm (.7 - .8 in) diameter	White