

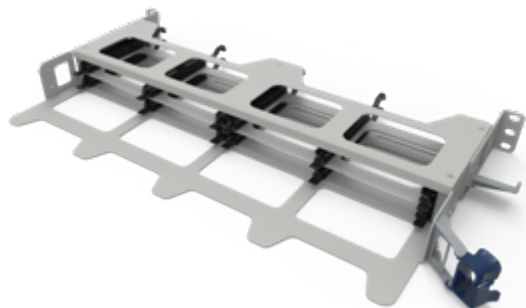
Skeleton (SKC) Chassis

1U for 8 Modules



Features & Benefits

- Efficient rack utilization
- 4 modules per row, 8 modules total
- Fast installation of modules from front or rear
- Fast moves, adds and changes (lower OPEX)
- Wide range of modules
- Robust and secure steel construction
- Outdoor and indoor installation
- Color: Light Grey, RAL 7035
- Material – Powder Coated Steel



Overview

The Skeleton (SKC) Chassis is a modular, standards-based, pre-terminated distribution platform designed to increase port density, improve connector access, and efficiently utilize valuable rack space in central offices. The SKC Chassis, in this configuration, will serve 8 Modules

The SKC Chassis solution facilitates front or rear installable modules that allows multiple fiber connections to be quickly and efficiently installed and maintained, while supporting regular moves, adds and changes.

Mechanical Data

Dimensions (WxDxH)	Material	Color
518 mm x 249.5 mm x 44 mm	Steel chassis (powder coated), plastic ABS	Light Grey, RAL 7035
Capacity	Mounting type	
4 modules per row, 8 modules total	465 mm (19 in)	

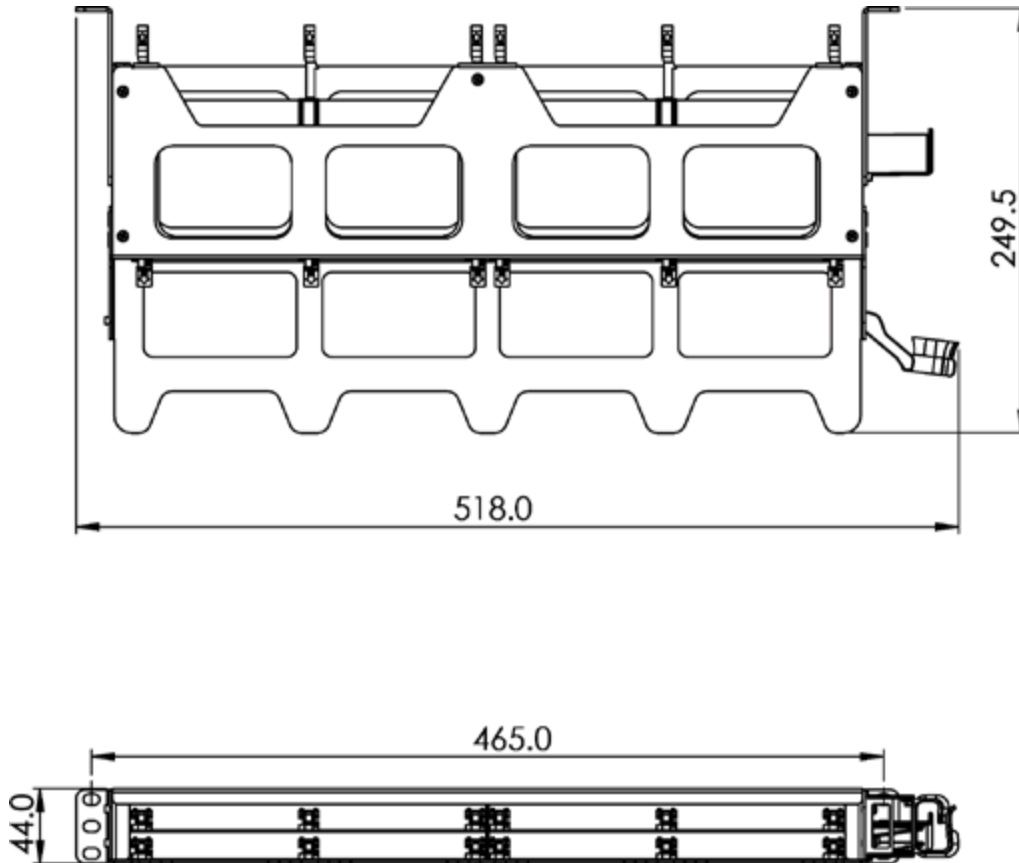
Environmental Data

Operating temperature	2011/65/EC RoHS	Environmental protection
-10 to 60 °C (14 to 140 °F)	Fully compliant	IP20, indoor use only
Free of halogen	2011/65/EC RoHS	
Yes	Fully compliant	

Skeleton (SKC) Chassis 1U for 8 Modules



Technical Drawing



Ordering Information

Part Number	Description
SKC1U2408GY3	1U Skeleton Chassis for 8 modules, rear mountable brackets, SC version, open front cable manager, RAL 7035