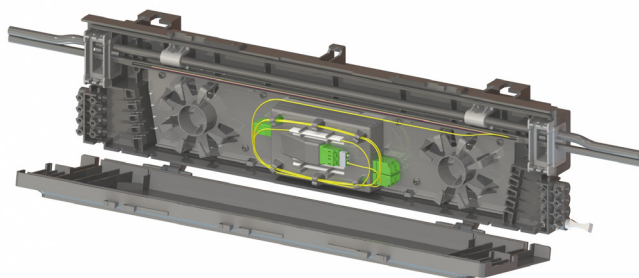


InLine Aerial Closure



Features & Benefits

- Allows for 100% splice-less FTTH installations
- Weathertight breathable design
- Can accommodate up to 8 drop cables
- UV resistant black PP material
- Up to 50% lighter than competing closures
- Supplied with splitter, pigtails, splice protectors, sealing plugs, cables ties and all necessary fixing components



Compatibility:

- 6 mm and 7 mm PPC ADSS Drop Cables
- LC and SC QuikPush® Connectors
- Fig.8 and Round Distribution Cables
- Mechanical and Fusion Splicing

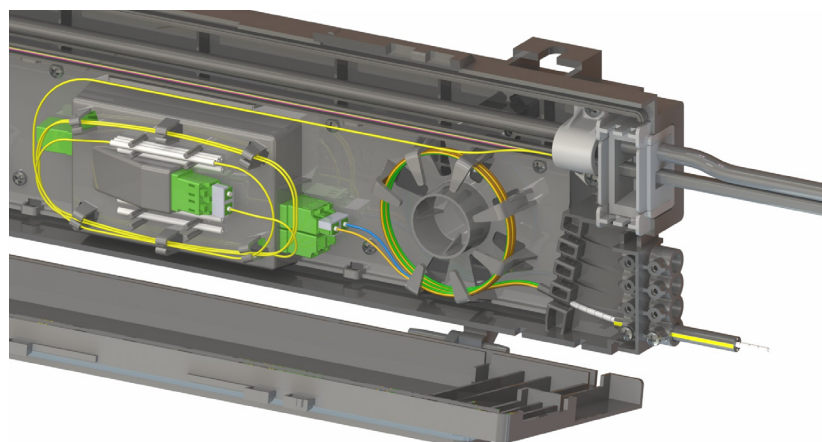


Overview

The InLine Aerial Closure (ILAC) is a lightweight, compact distribution solution for overhead FTTx applications. Designed for installation over self-supporting distribution cable, the lightweight design requires no additional mounting or pole attachment. Pre-configured with a fully connectorized PLC splitter module, the closure requires no field splicing to connect subscribers to the network. When combined with PPC QuikDrop™ fiber cables, operators can revisit the ILAC after installation to quickly connect customers when subscriptions are taken up.

Applications

- FTTH & FTTP
- Single-dwelling Units
- Mid-Span / Inline Access
- Aerial Distribution



InLine Aerial Closure



Technical Data

Parameter	Performance
IP Rating	IP43
Operating Temperature Range	-40 °C to 60 °C (-40 °F to 140 °F)
Impact Resistance	0.75 @ -15 °C & 45 °C (5 °F & 113 °F)
Cable Retention	> 200N
Dimensions	431 x 120 x 36 mm
Weight	~0.5 kg
Port Diameter	6-7 mm

Ordering Information

Part Number	Product Code	Connector Type	Description	Subscriber Ports	Internal Configuration
10-1411	ILAC-LC5-1:4-PP-BLK	LC/APC	LC/APC Duplex with 1:4 LC/APC PLC Splitter	4	1x4 Splitter
10-1412	ILAC-LC5-1:8-PP-BLK	LC/APC	LC/APC Duplex with 1:8 LC/APC PLC Splitter	8	1x8 Splitter
10-1413	ILAC-LC5-2X1:4-PP-BLK	LC/APC	LC/APC Duplex with 2x1:4 LC/APC PLC Splitters	8	2x1:4 Splitter
10-1455	ILAC-SC5-1:4-PP-BLK	SC/APC	SC/APC with 1:4 SC/APC PLC Splitter	4	1x4 Splitter