

Fiber Optic Surface Mounted Micro Terminal™



Features & Benefits

- Extremely compact, all-plastic design
- Up to 65 ft (20 m) of cable storage inside the terminal
- 2 port capacity (2x SC simplex or 2x LC duplex adapters)
- Supplied with universal mounting brackets (desktop or wall)
- Fiber routing kits sold separately
- Plenum and Miniflex® Riser cable
- User-defined lengths up to 450 ft (137 m)
- 2011/65/EU RoHS compliant and halogen free
- Connector-pulling eyes provided



Overview

The Micro Terminal is deployed at subscriber end-points where wall-mount or desktop termination units are traditionally used. The Micro Terminal combines PPC's patented spooling technology and plug-and-play philosophy to significantly reduce the amount of time it takes to create reliable and precise subscriber links. The pre-terminated and factory-tested drop cable can be de-reeled from a rotating all-plastic enclosure with configurable fiber adapters and built-in cable slack storage. After the drop cable has been routed back to a subscriber collection unit (such as the BuildOpt™ Terminal System Assembly), the Micro Terminal can be attached to a flat surface or wall outlet box, or placed on a desktop. As with the PPC BuildOpt System, the excess cable can be reeled back into the enclosure for easy and convenient storage.

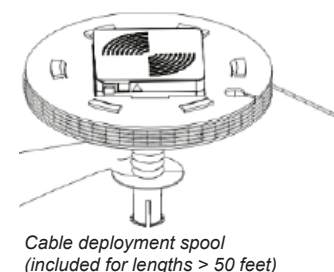
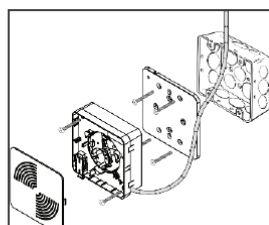
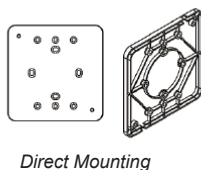
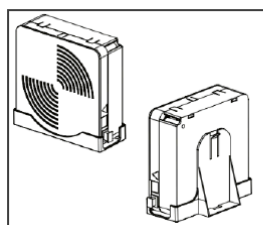
Technical Data

Mechanical Data

Item	Single-mode
Dimensions (LxWxH)	4.5 in (115 mm) x 4.5 in (115 mm) x 1.6 in (40 mm)
Material	94V-0 ABS Ivory White
Adapter Type	SC simplex or LC duplex
Adapter Quantity	Maximum 2

Optical Data

Item	Single-mode
Fiber Count	1, 2 or 4 fibers
Fiber Category	OS2 single mode (9/125um) bend insensitive
Insertion Loss (Maximum)	0.25 dB single mode for UPC 0.30 dB single mode for APC
Return Loss (Minimum)	-55.0 dB single mode for UPC -65.0 dB single mode for APC



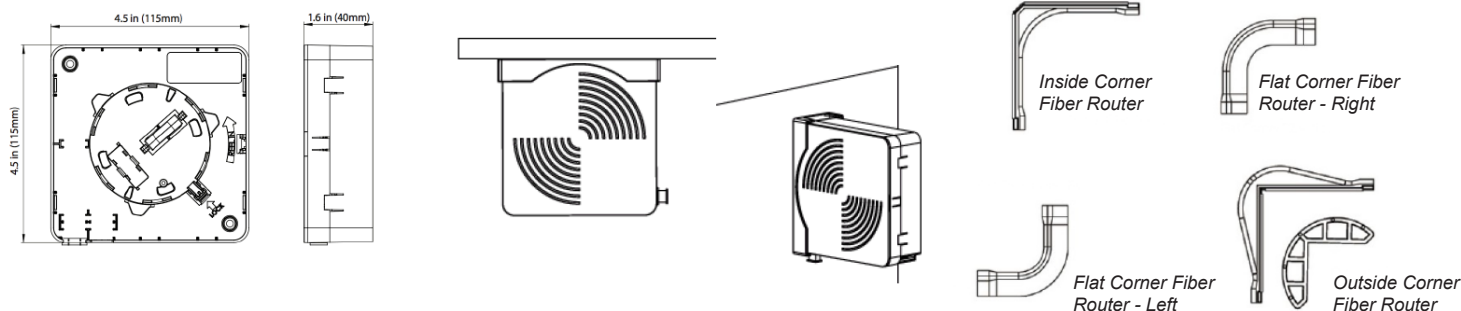
This product may be protected by one or more patents • For further information, please visit: www.ppc-online.com/patents

customerservice@ppc-online.com • 1-800-800-6652 • www.ppc-online.com

Fiber Optic Surface Mounted Micro Terminal™



Technical Drawings



Ordering Information (for UPC: Replace APC with UPC in the Part Number)

Part Number	Description
OSB1PSC-050PAPC	1F 1x SC-APC Simplex 050 Feet Plenum
OSB1PSC-150PAPC	1F 1x SC-APC Simplex 150 Feet Plenum
OSB1PSC-250PAPC	1F 1x SC-APC Simplex 250 Feet Plenum
OSB1PSC-350PAPC	1F 1x SC-APC Simplex 350 Feet Plenum
OSB1PSC-450PAPC	1F 1x SC-APC Simplex 450 Feet Plenum
OSB1PSC-050MRAPC	1F 1x SC-APC Simplex 050 Feet Miniflex Riser
OSB1PSC-150MRAPC	1F 1x SC-APC Simplex 150 Feet Miniflex Riser
OSB1PSC-250MRAPC	1F 1x SC-APC Simplex 250 Feet Miniflex Riser
OSB1PSC-350MRAPC	1F 1x SC-APC Simplex 350 Feet Miniflex Riser
OSB1PSC-450MRAPC	1F 1x SC-APC Simplex 450 Feet Miniflex Riser
OSB2PSC-050MRAPC	2F 2x SC-APC Simplex 050 Feet Miniflex Riser
OSB2PSC-150MRAPC	2F 2x SC-APC Simplex 150 Feet Miniflex Riser
OSB2PSC-250MRAPC	2F 2x SC-APC Simplex 250 Feet Miniflex Riser
OSB2PSC-350MRAPC	2F 2x SC-APC Simplex 350 Feet Miniflex Riser
OSB2PSC-450MRAPC	2F 2x SC-APC Simplex 450 Feet Miniflex Riser
OSB1PLD-050MRAPC	2F 1x LC-APC Duplex 050 Feet Miniflex Riser
OSB1PLD-150MRAPC	2F 1x LC-APC Duplex 150 Feet Miniflex Riser
OSB1PLD-250MRAPC	2F 1x LC-APC Duplex 250 Feet Miniflex Riser
OSB1PLD-350MRAPC	2F 1x LC-APC Duplex 350 Feet Miniflex Riser
OSB1PLD-450MRAPC	2F 1x LC-APC Duplex 450 Feet Miniflex Riser

Contact PPC Sales for Micro Terminal solutions with 4 fibers.

Accessories

Part Number	Description
OSB-AC-MICRO-FRK	Fiber routing kit: 6x inside, 6x outside, 6x flat-left, 6x flat-right corner pieces
OSB-AC-MICRO-FRE	Fiber routing extrusion, flexible, cut-able, adhesive backed, 65 ft (20 m)

(Fiber routing pieces contain adhesive backing for peel and stick application)

This product may be protected by one or more patents • For further information, please visit: www.ppc-online.com/patents

customerservice@ppc-online.com • 1-800-800-6652 • www.ppc-online.com