

TurnOpt™ Series 1100

Fiber Optic Wall Mounted Enclosure



Features & Benefits

- Utilizes patented Rotating Frame Assembly technology
- Designed for small to mid-sized multi-dwelling units (MDUs) or multi-tenant units (MTUs)
- Ideal for distributed, mid-span or end-of-block architectures
- Fills gaps in many FTTX service deployments
- 72 or 96 subscribers with 12 or 24 input / express ports
- 7-splitter module capacity with parking for 64 splitter outputs
- Narrow design (W x H x D): 13.5 in x 27.5 in x 11.5 in (344 mm x 700 mm x 292 mm)
- Robust NEMA 4-rated enclosure: 33 lbs (15 kg)
- GR-3125/TPR-9417 certified and GR-326 certified connectors



Overview

The TurnOpt™ 1100 is a compact Fiber Distribution Hub designed for low-density FTTX deployments supporting up to 96 subscribers. The TurnOpt 1100 is housed in a small form-factor enclosure that is ideally suited for pole-mount installations and wall-mount applications where space is limited. PPC's patented Rotating Frame Assembly is housed inside the TurnOpt 1100 and provides 180° access to subscriber ports, express ports, splitter modules, splitter leads and cable management. PPC's high performance PLC splitter modules are enclosed in a chemically-resistant housing and are compliant with Telcordia GR-326, GR-1209 and GR-1221 standards. They easily snap into, and finger release from, splitter slots in PPC Fiber Distribution Hubs (no tools required).

Technical Data

Product Specifications

Specification	Value
Dimensions (H x W x D)	27.5 x 13.5 x 11.5 inches (700 x 344 x 292mm)
Material	Powder coated Aluminum (color = almond beige)
Door lock	216 style with draw latches and a padlock hole
Cable entry ports	RG16 and RG21 ports, 0.55 inch (14mm) max. diameter
Maximum number of splice trays	4
Splitter module capacity	7
Splitter lead storage capacity	64

Optical Data

Specification	Value
Fiber type	G.657.A1 single mode
Insertion loss	0.30 dB maximum single mode APC 0.20 dB maximum single mode UPC
Return loss	65.0 dB minimum single mode APC 55.0 dB minimum single mode UPC

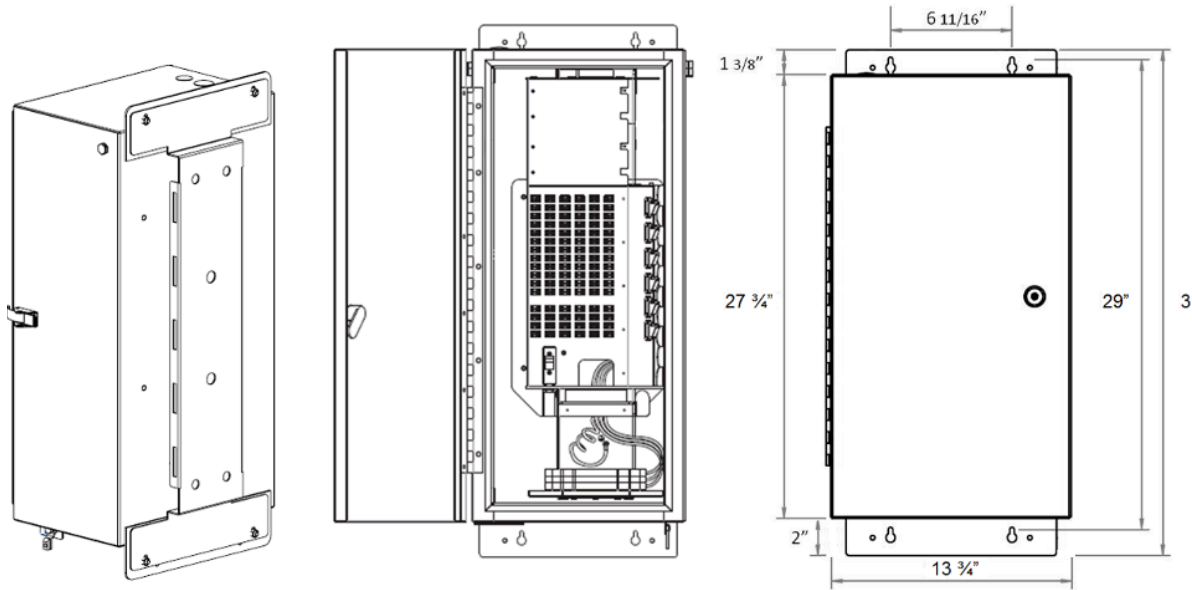
This product may be protected by one or more patents • For further information, please visit: www.ppc-online.com/patents

TurnOpt™ Series 1100

Fiber Optic Wall Mounted Enclosure



Technical Drawings



Ordering Information

Part Number	Description
T11W2-B100-1002	72/24 TurnOpt™ 1100 Indoor/Outdoor Ribbon Splice Only
T11W2-B100-2RA2	72/24 TurnOpt 1100 100ft Indoor/Outdoor Ribbon F2 Stub
T11W2-B100-2RC2	72/24 TurnOpt 1100 500ft Indoor/Outdoor Ribbon F2 Stub
T11W2-B2RA-2RA2	72/24 TurnOpt 1100 100ft Indoor/Outdoor Ribbon F1&F2 Stubs
T11W2-B2RC-2RC2	72/24 TurnOpt 1100 500ft Indoor/Outdoor Ribbon F1&F2 Stubs
T11W3-A100-1002	96/12 TurnOpt 1100 Indoor/Outdoor Ribbon Splice Only
T11W3-A100-2RA2	96/12 TurnOpt 1100 100ft Indoor/Outdoor Ribbon F2 Stub
T11W3-A100-2RC2	96/12 TurnOpt 1100 500ft Indoor/Outdoor Ribbon F2 Stub
T11W3-A2RA-2RA2	96/12 TurnOpt 1100 100ft Indoor/Outdoor Ribbon F1&F2 Stubs
T11W3-A2RC-2RC2	96/12 TurnOpt 1100 500ft Indoor/Outdoor Ribbon F1&F2 Stubs
VSM116-BF2-Y2-2F	1x16 PLC Splitter Module SC-APC
VSM132-BF2-Y2-2F	1x32 PLC Splitter Module SC-APC
VH1W2-PMK	TurnOpt 1100 Pole Mount Kit