

Fiber Transition Module



Features & Benefits

- Extremely compact design (tool-less installation)
- Shuttered LC Quad adapters for dust/laser protection
- Available in OS2, OM3 and OM4 fiber types
- Ultra-low loss performance for increased link flexibility (cross-connect configurations)
- Available in Base-8 or Base-12 configurations
- Assembled with bend-optimized fiber assemblies
- Clear port identification and traceability



Overview

Transition modules allow users to convert Base-8 or Base-12 MPO trunk cables to Base-2 LC adapters which match the transceivers of nearby switches and servers. The MPO connection at the rear of the module provides a high degree of flexibility because the transition module can be easily upgraded to an MPO conversion/patching module at a later stage. This allows users to upgrade from 1G/10G data rates (serial optics) to 40G or 100G data rates (parallel optics).

Technical Data

Mechanical Data

Specification	Value
Dimensions (W x D x H)	86 mm (3.38 in) x 167 mm (6.57 in) x 12.1 mm (0.47 in)
Weight	85 grams (0.085 kg)
Material / color	PC/ABS Anthracite Grey RAL 7016
Adapter type front	Shuttered LC Quad
Adapter quantity front	2 x LC Quad (Base-8), 3 x LC Quad (Base-12)
Adapter color front	Blue (OS2), Green (OS2 APC), Aqua (OM3), Heather Violet (OM4)

Optical Data

Specification	Value
Fiber count	Base-8 (8 fiber), Base-12 (12 fiber)
Fiber category	OS2 - 9/125 bend-insensitive, OM3/4/5 - 50/125 μ m bend-optimized
Module IL (Low Loss)	Single-mode OS2 ≤ 1.0 dB Multi-mode OM3/OM4 ≤ 0.50 dB
Module IL (Ultra Low Loss)	Single-mode OS2 ≤ 0.60 dB Multi-mode OM3/OM4 ≤ 0.35 dB
Module return loss	Single-mode OS2 UPC ≥ 0.50 dB Single-mode OS2 APC ≥ 0.60 dB Multi-mode OM3/OM4 ≥ 0.30 dB

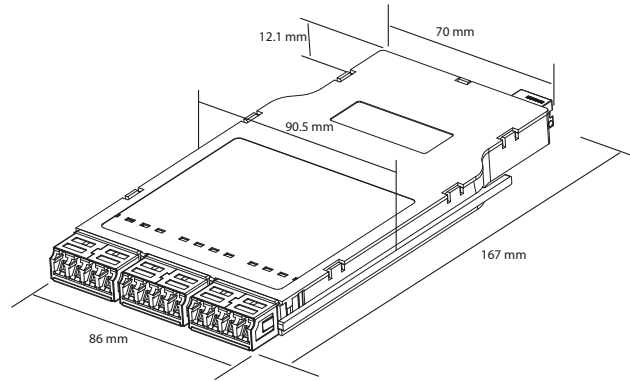
Environmental Data

Specification	Value
Free of halogen	Yes
2011/65/EC RoHS	Fully compliant

Fiber Transition Module



Technical Drawing



Ordering Information

TM01

1 2 3 4 5 6

1. Select MPO type (rear)

- 30 = MPO/MTP 8 fiber Female (no pins)
- 31 = MPO/MTP APC 8 fiber Female (no pins)
- 32 = MPO/MTP 8 fiber Male (pinned)
- 33 = MPO/MTP APC 8 fiber Male (pinned)
- 40 = MPO/MTP 12 fiber Female (no pins)
- 41 = MPO/MTP APC 12 fiber Female (no pins)
- 42 = MPO/MTP 12 fiber Male (pinned)
- 43 = MPO/MTP APC 12 fiber Male (pinned)

2. Performance MPO (rear)

- M = Multimode Elite
- S = Singlemode Standard
- T = Singlemode Elite

3. Qty of connectors (front)

- 08 = 8 x connectors
- 12 = 12 x connectors

4. Connector type front

- 10 = LC
- 11 = LC APC

5. Polarity type

- AS = A straight (12f)
- AF = A flipped (12f)
- B1 = B straight (8f/12f)
- B2 = B flipped (8f/12f)
- NS = N straight (8f/12f)
- NF = N flipped (8f/12f)

6. Performance

- Z = Singlemode OS2 G657 A.1
- 2 = Singlemode OS2 G657 A.2
- 3 = Multimode OM3
- 4 = Multimode OM4

Design Considerations:

PPC modules use a KeyUp/KeyDown MPO adapter as standard on all MPO-LC transition modules. PPC recommend that UHD Transition Modules are connected with Male MPO backbone trunks (Polarity Type B) for a safer and simpler upgrade to 40G or 100G data rates. Please contact your local representative for more information

This product may be protected by one or more patents • For further information, please visit: www.ppc-online.com/patents

customerservice@ppc-online.com • 1-800-800-6652 • www.ppc-online.com