

OPGW Metallic Joint Closure



Features & Benefits

- The design of the OPGW Metallic Joint Closure takes of the following:
- 6 mm thick aluminum alloy metal (made through a pressure-die casting technique) provides electrical field shielding
 - The dome is subject to a controlled temperature during the molding process to strengthen it
 - Provides mechanical and optical protection of the fiber
 - Provides environmental protection of the splice
 - Ensures the integrity of the connections, cable seals, fibers and buffers during mounting, functioning and dismantling
 - Ability to open and close the joint box and fiber organizer repeatedly without removing or modifying the joint box, but only replacing the sealing
 - Easily add new cables in the same joint box, if required
 - Terminate all cables with an outer diameter from 8 mm to 18 mm



Overview

PPC has introduced the Metallic Joint Closure for use in OPGW projects of stringing High Voltage Transmission lines. The Metallic Joint Closure is an important part of the plumbing for OPGW-based transmission projects. By using the pressure-die casting technique, the closure can withstand a 12 meter fall.

Technical Data

Mechanical Data

Specification	Value
Dimension (mm)	356(H) x 204.9(ϕ)
Material	Aluminum
Cable Entry Ports	4
Max Number of Splice Trays	24
Max number of splice tray	4
Max Capacity	96 cores
Sealing Structure	Silicon Gum Material

Test Results

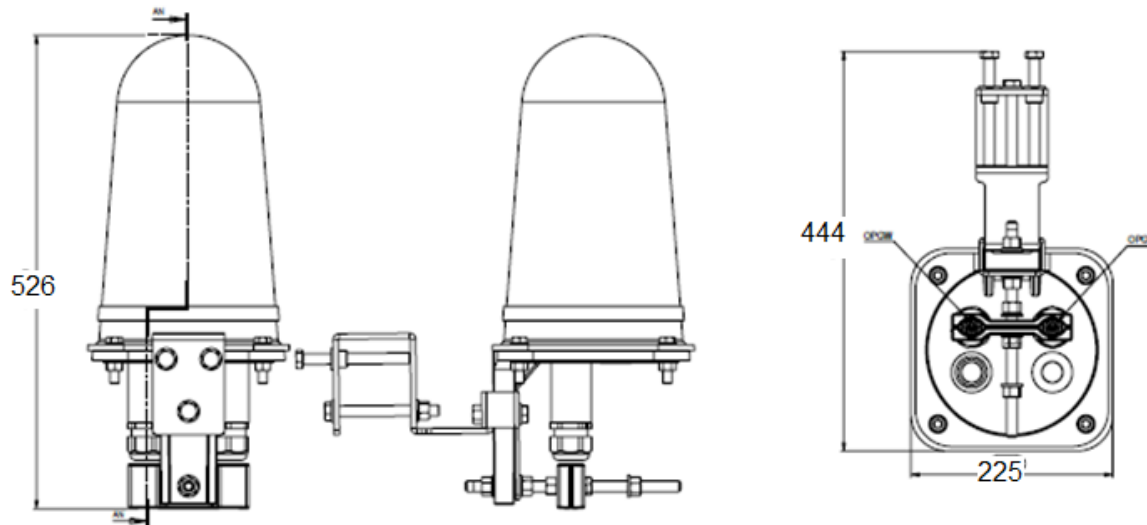
The OPGW Metallic Joint Closure has been tested against for the following reliability tests and has successfully endured the test conditions.

Tests	Reference Standards	Test Severities
IP Test (IP67)	IS/IEC 60529:2001 Standard	Protection against ingress of solid foreign body and against harmful ingress of water. The product is completely immersed in water at a depth of 15 cm and 1 m above the bottom for a duration of 30 minutes.
Free Fall Test	IEC 60068-2-32	Dropped from a height of 11 m attached to two cables of 12 m length. Test repeated five times.
Drop Test (Hanging)	IEC 60068-2-32	Dropped from a height of 11 m attached to two cables of 10 m length. Test repeated five times.

OPGW Metallic Joint Closure



Technical Data



Ordering Information

Part Number	Description
FDSCCGW24	OPGW Metallic Joint Box 24 Fiber with standard accessories and compact clamping system
FDSCCGW48	OPGW Metallic Joint Box 48 Fiber with standard accessories and compact clamping system
FDSCCGW96	OPGW Metallic Joint Box 96 Fiber with standard accessories and compact clamping system

Part Number	Description
GWSPTR24	24 Fiber Splice Cassette
GWCGH	Cable Gland Holder