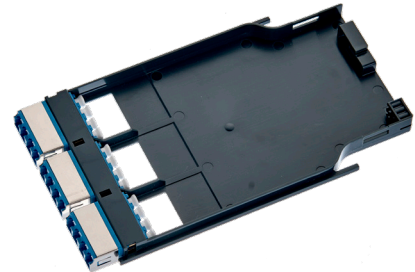


Patching Module



Features & Benefits

- Extremely compact design (tool-less installation)
- MPO and LC patching modules types
- Rear cable clamp & guide-clamp for fast one-man installation
- Shuttered LC Quad adapters for dust/laser protection
- Colored adapters by performance
- 4 and 6 port variants available
- Clear port identification and traceability



Overview

Base-2 LC-LC patching modules

Users building a Base-2 LC link may choose to connect LC trunk harnesses at the rear of the module with LC patchcords at the front. This is common with serial links where equipment ports on the server and switch are both of a LC duplex type. The most common fiber count would be 12 fiber so as to maximize the density of the module (6 x LC duplex ports).

Base-8, 12 and 24 MPO-MPO patching modules

MPO patching modules can be used in greenfield data centers to connect MPO backbone trunk cables at the rear of the module, to MPO patchcords at the front of the module. This connection method is common when the transceivers on the server or switch are parallel MPO type (such as QSFP for 40G). Alternatively, MPO patching modules can be used to connect MPO-LC equipment harnesses at the front of the module. This is an effective way of connecting to high-density switches where space is of a premium.

Technical Data

Mechanical Data

Specification	Value
Dimensions (W x D x H)	86 mm (3.38 in) x 167 mm (6.57 in) x 12.1 mm (0.47 in)
Weight	85 grams (0.085 kg)
Material/color	PC/ABS Anthracite Grey RAL 7016
Adapter type front	Shuttered LC Quad or MPO
Adapter quantity front	2 (4-port), 3 (6-port)
Adapter color front	Blue (OS2), Green (OS2 APC), Aqua (OM3), Heather Violet (OM4)

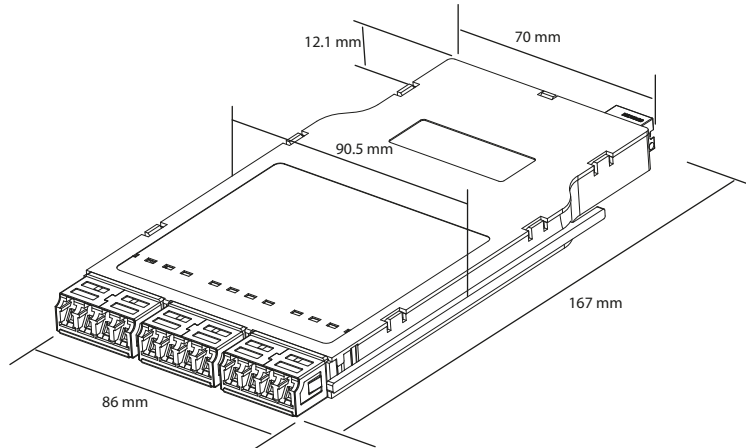
Environmental Data

Specification	Value
Free of halogen	Yes
2011/65/EC RoHS	Fully compliant

Patching Module



Technical Drawing



Ordering Information

PM

1

2

3

4

1. Quantity of ports
4 = 4 x MPO or LC duplex
6 = 6 x MPO or LC duplex

2. Adapter type
LC = LC (LC quad)
MPO = MPO

3. Key alignment (choose UU for LC type)
UD = KeyUp/KeyDown
UU = KeyUp/KeyUp

4. Adapter Color
BU = Blue (LC/PC only)
GN = Green (LC/APC and MPO)
BK = Black (OM3, OM4)
GY = Gray (KeyUp/KeyUp MPO)
AQ = Aqua (OM3)
HV = Heather Violet (OM4)

Design Considerations:

Care should be taken to make sure that the correct polarity and MPO connector gender is maintained across the complete link. Male (pinned) connectors must only be connected to female (un-pinned) connectors.