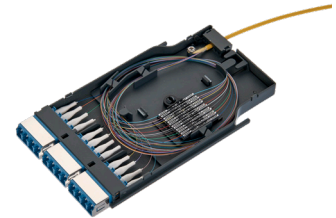


Fiber Splice Module



Features & Benefits

- Extremely compact design (tool-less installation)
- Shuttered LC Quad adapters for dust/laser protection
- Available in OS2, OM3 and OM4 fiber types
- Strain relief for cable jacket and kevlar
- Transparent cover for clear visibility of spliced fibers
- Available for pigtail and ribbon splicing
- Clear port identification and traceability



Overview

UHD splicing modules allow users to fusion splice micro cables, loose-tube cables or ribbon cables to factory assembled pigtails. The splice clip is interchangeable, allowing different splice protectors to be integrated, such as heat-shrink, ribbon or sandwich (ANT) type. A transparent cover protects the internal fibers and provides a visual reference of the installation.

Protective conduit can also be snapped into the rear of the module in cases where higher density cables are spliced or where non-standard cable constructions are used.

Technical Data

Mechanical Data

| Specification | Value |
|------------------------|---|
| Dimensions (W x D x H) | 86 mm (3.38 in) x 167 mm (6.57 in) x 12.1 mm (0.47 in) |
| Weight | 85 grams (0.085 kg) |
| Material/color | PC/ABS Anthracite Grey RAL 7016, transparent cover |
| Adapter type front | Shuttered LC Quad |
| Adapter quantity front | 3 (12 fiber) |
| Adapter color front | Blue (OS2), Green (OS2 APC), Aqua (OM3), Heather Violet (OM4) |

Optical Data

| Specification | Value |
|-----------------------|---|
| Fiber count | 12 fiber (8 fiber available on request) |
| Fiber category | OS2 - 9/125, OM3/4/5 - 50/125 μ m bend-optimized |
| Module insertion loss | Single-mode OS2 ≤ 0.50 dB max Multi-mode OM3/OM4 ≤ 0.50 dB max |
| Module return loss | Single-mode OS2 UPC ≥ 0.55 dB Single-mode OS2 APC ≥ 0.60 dB Multi-mode OM3/OM4 ≥ 0.30 dB |

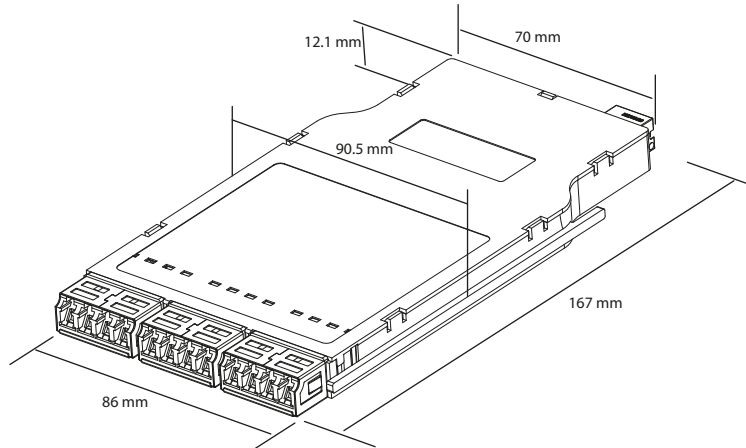
Environmental Data

| Specification | Value |
|-----------------|-----------------|
| Free of halogen | Yes |
| 2011/65/EC RoHS | Fully compliant |

Fiber Splice Module



Technical Drawing



Ordering Information

SM12

1

2

3

4

1. Connector Type(Front)
10 = LC simplex
11 = LC APC simplex

2. Fiber Type
2 = Single-mode
3 = Multi-mode OM3
4 = Multi-mode OM4

3. Splice protector type
HSL = Heat shrink large
HSR = Heat shrink ribbon
ANT = ANT sandwich protector

4. Pigtail/ribbon colour code
TIA = TIA color code
UNI = For ribbon applications