

UHD Chassis



Features & Benefits

- Available in 1U, 2U and 4U height variants
- Most efficient rack utilization (72 x ports per 1U)
- Fast installation of modules from front or rear
- Fast moves, adds and changes (lower OPEX)
- Easy and fast migration to 40G, 100G and beyond
- Future-proofed with super low-loss connectivity
- Wide range of modules (MPO-LC transition, pigtail splicing, patching, tap-monitoring and MPO conversion)
- Excellent patch cord routing and guidance
- Clear port identification and traceability
- Robust and secure steel construction



Overview

PPC's Ultra-High Density (UHD) Chassis is a modular, standards-based, pre-terminated distribution platform designed to increase port density, improve connector access, and efficiently utilize valuable rack space in data centers. The UHD Chassis, in its basic configuration, will serve 72 LC ports per 1U (144 fibers) for all network topologies including 10G, 40G and 100G deployments utilizing high performance 8-fiber, 12-fiber and 24-fiber MPO technology.

The UHD Chassis solution has a maximum capacity of 12 front or rear installable modules (per 1U) that allow multiple fiber connections to be quickly and efficiently installed and maintained, while supporting regular moves, adds and changes. Integrated fiber management features are provided to secure trunk cables, separate patch cords and maintain a safe bend radius during fiber routing.

Technical Data

Mechanical Data

Specification	Value
Dimensions (WxDxH)	519 mm (20.43 in) x 565 mm (22.24 in) x 1U/2U/4U
Chassis height	1U (44.45 mm), 2U (88.9 mm) and 4U (177.8 mm)
Mounting type	465 mm (19 in)
Weight	1U (8.5 kg), 2U (8.5 kg) and 4U (15 kg)
Material	Steel chassis (powder coated), plastic ABS
Color	Black RAL 9005, Gray RAL7047, Bengal Silver
Capacity	4 x modules per row (3 x rows per 1U)
Density	72 x LC/MPO ports per 1U

Environmental Data

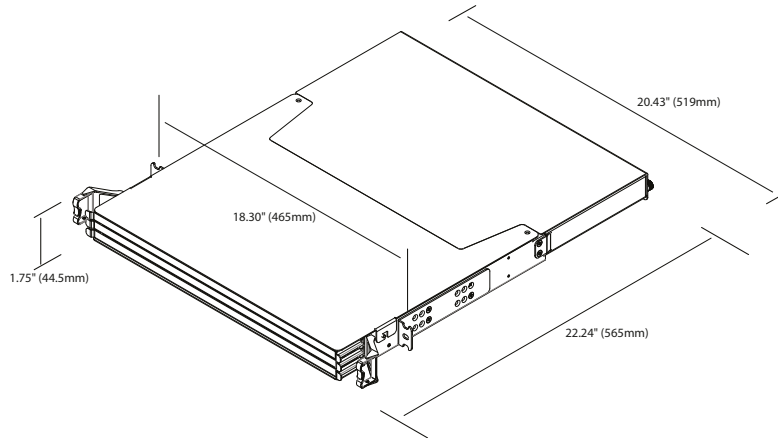
Specification	Value
Free of halogen	Yes
2011/65/EC RoHS	Fully compliant

UHD Chassis

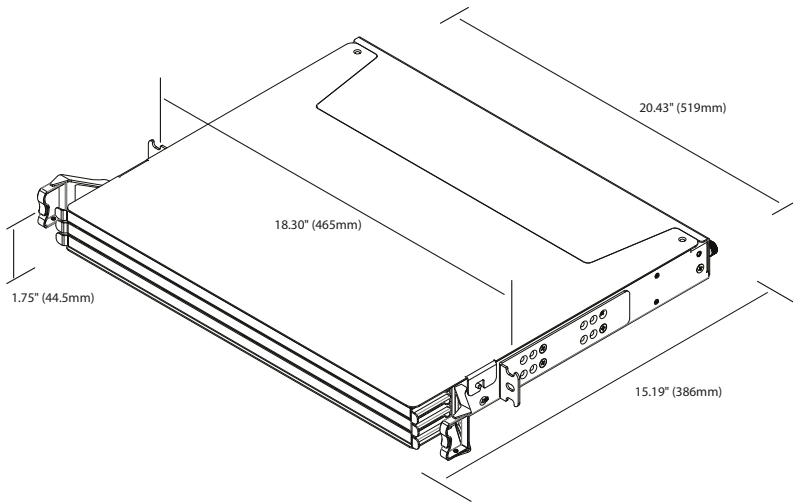


Technical Drawing

UHD chassis 1U including rear cable manager (for 2U and 4U heights refer to technical data)



UHD chassis 1U excluding rear cable manager (for 2U and 4U heights refer to technical data)



Ordering Information

Part Number	Description
UHDC1U0412XX1	1U UHD Chassis 4 modules per row, 12 modules total, short version
UHDC1U1412XX1	1U UHD Chassis 4 modules per row, 12 modules total, incl. rear cable shelf
UHDC2U0424XX1	2U UHD Chassis 4 modules per row, 24 modules total, short version
UHDC2U1424XX1	2U UHD Chassis 4 modules per row, 24 modules total, incl. rear cable shelf
UHDC4U0448XX1	4U UHD Chassis 4 modules per row, 48 modules total, short version
UHDC4U1448XX1	4U UHD Chassis 4 modules per row, 48 modules total, incl. rear ca

-XX = optional colors ('BK' for black, 'GY' for Gray, BS for Bengal Silver)

This product may be protected by one or more patents • For further information, please visit: www.ppc-online.com/patents

customerservice@ppc-online.com • 1-800-800-6652 • www.ppc-online.com