

QuikPass™ Fiber Entry Box



Datasheet

The Fiber Entry Box is a slim profile, compact termination box at the heart of the PPC QuikPass solution. Manufactured from a flame retardant, low smoke zero halogen and impact resistant polymer, the box mounts to wall surfaces via two (2) screws (provided).

The Fiber Entry Box is positioned over the Miniflex® Distribution Cable and provides retaining features to hold the cable securely. After window cutting the cable, individual 900µm fibers are pulled back and coiled into the box.

The Fiber Entry Box features all the necessary components to connect the subscriber to the distribution cable and offers a range of termination options including fusion splice, field fit connectors, terminated drop cables and even the option to push the fiber from the Fiber Entry Box to the customer terminal / ONT.

Advantages

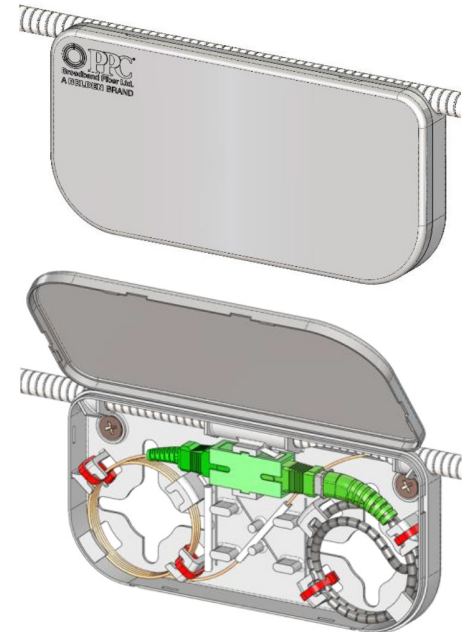
- Drop Cable can enter at rear or bottom of the box
- Tamper resistant front cover
- Slim compact profile
- Cable retention features
- Multiple termination options
- Supplied with wall fixings and connection accessories

Applications

- Multi-Dwelling Units
- Commercial Offices
- Schools and Campuses
- Hotels and Resorts

Compatibility List

- Miniflex 2mm, 3mm and 8mm
- G.657A2 Optical Fiber
- SC/APC connectors
- Fusion and Mechanical Splice



Part Number	Kit Version	Kit Contents
10-1429-01	Push	Cable Ties (2)
10-1429-02	Splice	Splice Protector (2), Cable Ties (2)
10-1429-03	Pigtail	SC/APC Adaptor (1), SC/APC Pigtail (2), Splice Protector (2), Cable Ties (2)
10-1429-04	QuikPush	SC/APC Adaptor (1), SC/APC Pigtail (1), Splice Protector (1), Cable Ties (2)

Pack Quantity	12
Dimensions	140 x 67 x 16mm
Pack Dimensions	XXX x XXX x XXmm
Operating Temp.	-10°C to +50°C
Flame Retardancy	UL 94: V0 / LSZH
Color	White (RAL 9010)

EMEA SALES
t: +44 1728 726 600
e: customerservice@ppc-online.com

USA SALES
t: +1 315-431-7200
e: customerservice@ppc-online.com

WWW.PPC-ONLINE.COM